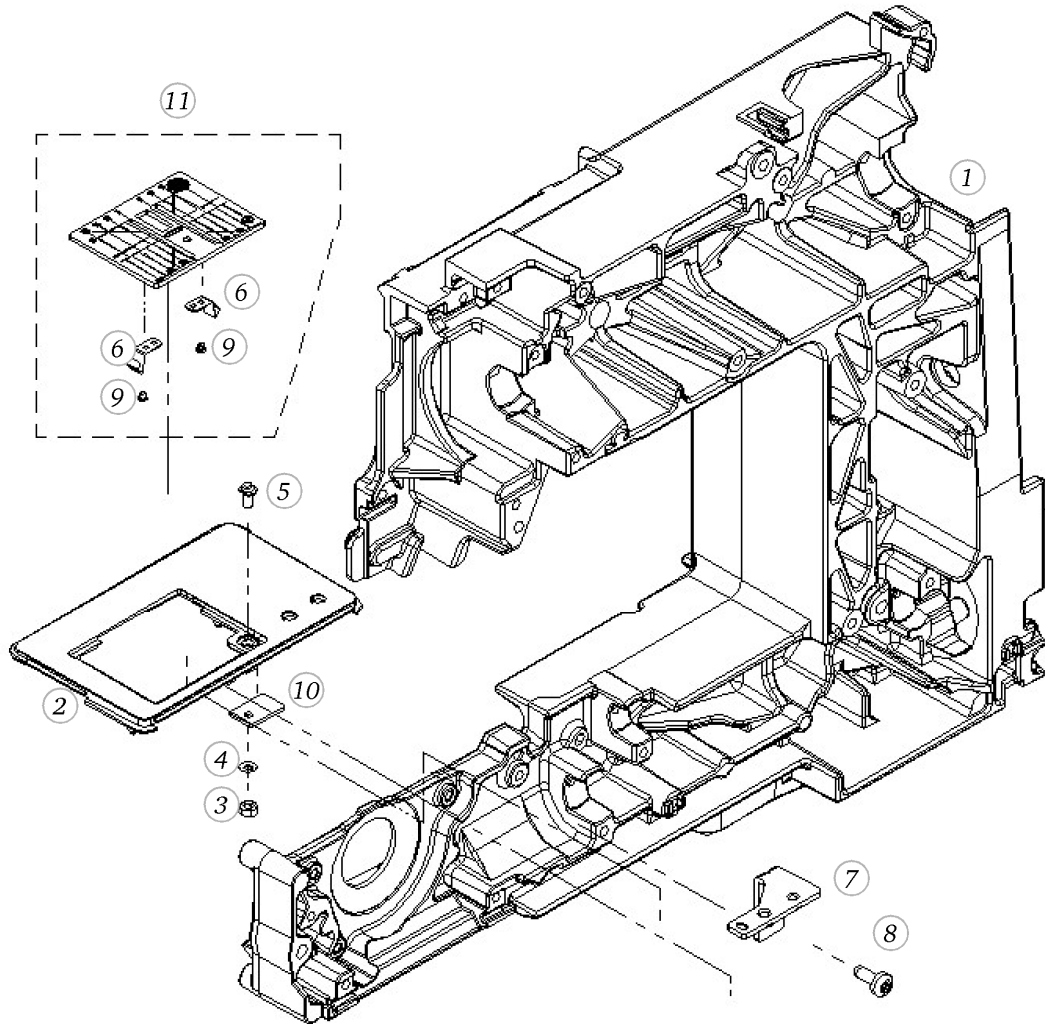


made to create **BERNINA**

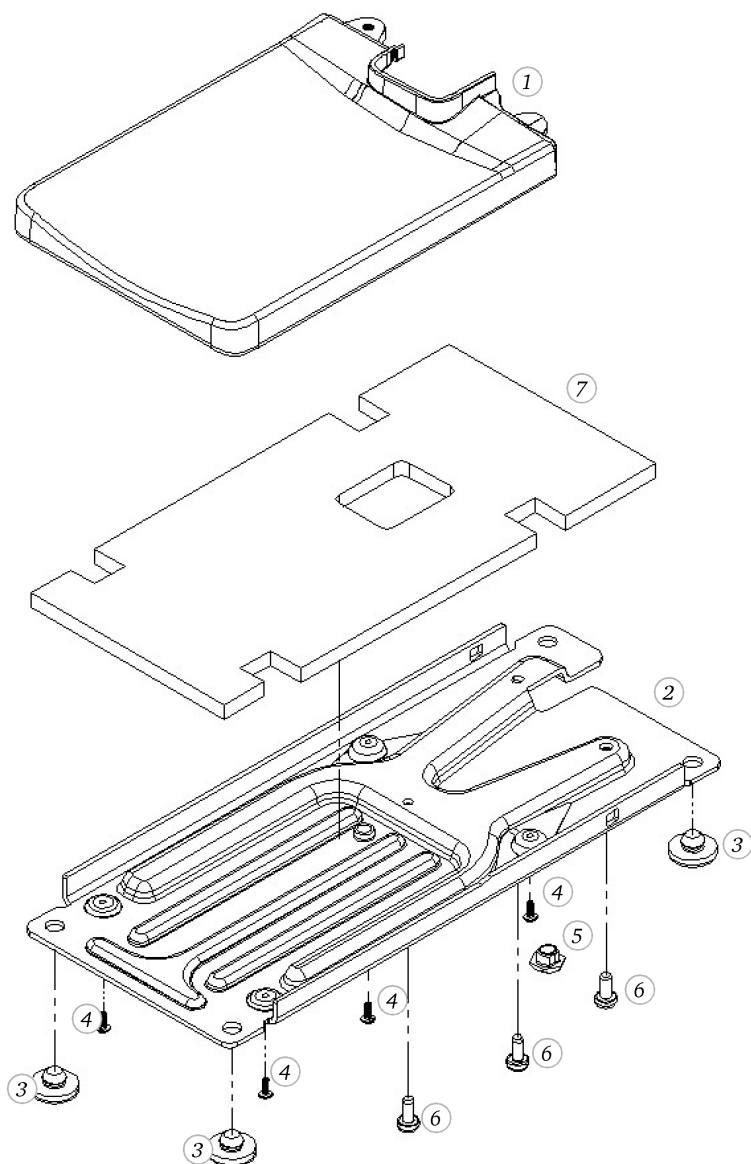


Spare Parts

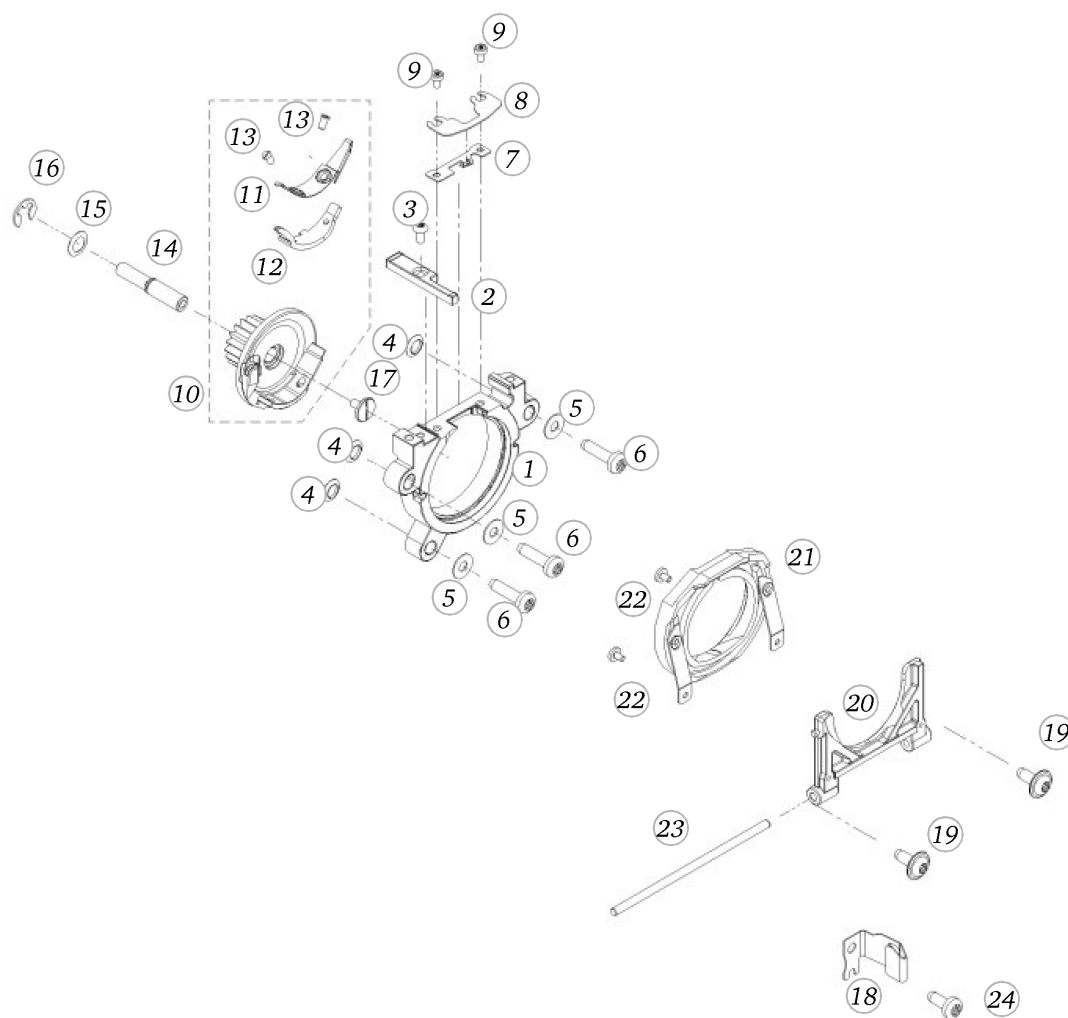
BERNINA 325



| Pos | Item number | Description |
|-----|-------------|---|
| 1 | 0088505100 | CHASSIS MACHINED |
| 2 | 0300975002 | STITCH PLATE FRAME |
| 3 | 22502313++ | HEXAGONAL NUT |
| 4 | 23225753++ | Curved Spring Washers M3 DIN 137 A - BN795 Art-No. 1280317 |
| 5 | 0026045200 | SPECIAL BOLT |
| 6 | 0078755200 | Clip |
| 6 | 0078755300 | Clip |
| 7 | 0310295101 | SUPPORT |
| 8 | 0078865043 | Socket Pan Head Thread Forming Screws M4x10 DIN7500 - BN13916 Art-No. 2027593 |
| 9 | 20500223++ | Slotted Machine Screw M2x1.8 nickel-plated |
| 10 | 0010475101 | PRESSURE PLATE |
| 11 | 0335467101 | STITCHPLATE/STANDRAD C |



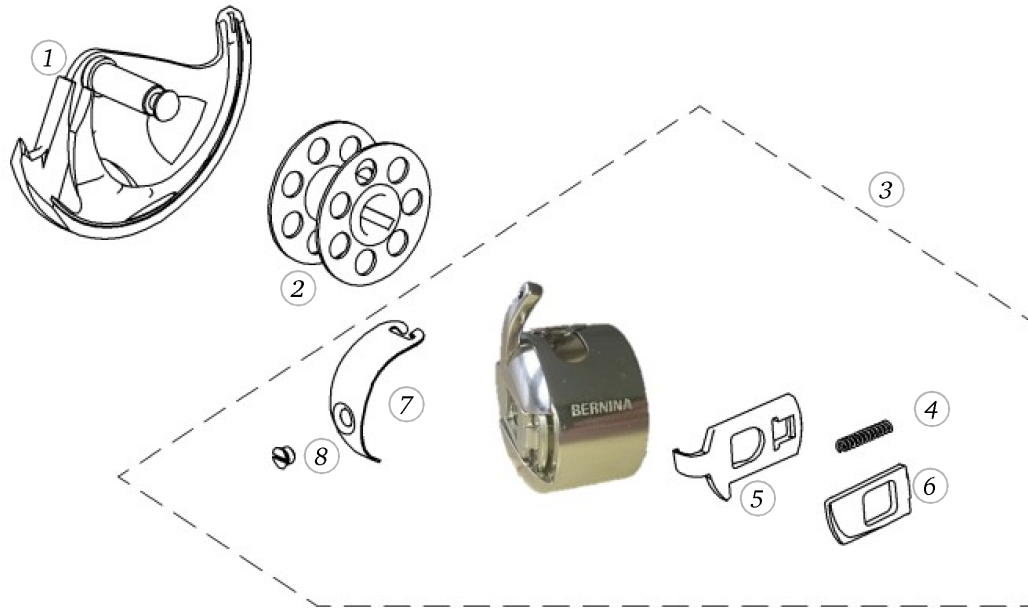
| Pos | Item number | Description |
|-----|-------------|---|
| 1 | 0330315000 | BASEPLATE COVER |
| 2 | 0300887100 | BASEPLATE ASSEMBLED |
| 3 | 0003445000 | RUBBER FOOT |
| 4 | 0329905022 | Delta Pt Round Washer Head Screw With Torx 3x 8 |
| 5 | 0003597000 | Adjusting Nut Cpl |
| 6 | 0078865054 | SCREW TORX DUOTAPTITE |
| 7 | 0316135200 | INSULATION MAT |



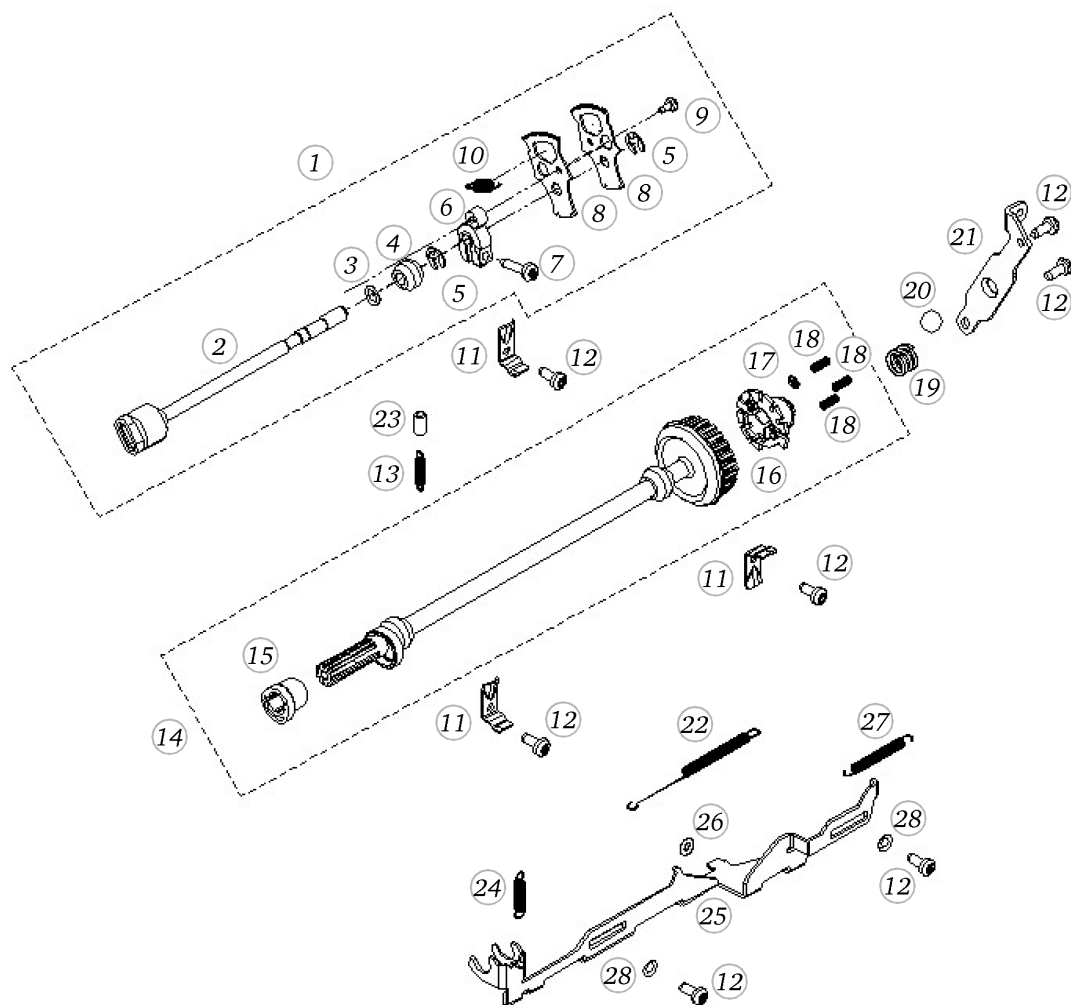
| Pos | Item number | Description |
|-----|-------------|---|
| 1 | 0311595100 | HOOK-GUIDEWAY FINISHED |
| 2 | 0310285000 | NEEDLE PLATE SUPPORT |
| 3 | 0032465110 | Socket Button Head Screws M3x 6 ISO 7380-1 - BN6404 Art-No. 1982990 |
| 4 | 0311825000 | Calotte Disc |
| 5 | 22953723++ | Washer d4.1xD10xs0.5 |
| 6 | 0078865045 | Socket Pan Head Thread Forming Screws M4x16 DIN7500 - BN13916 Art-No. 2027615 |
| 7 | 0031635100 | THREAD GUIDE |
| 8 | 0066335100 | THREAD GUIDE PLATE |
| 9 | 0077525020 | SCREW TORX M2.5X4 |
| 10 | 0314007200 | HOOK-DRIVER-PREASS. |
| 10 | 0314007300 | HOOK DRIVER PREASS. |
| 11 | 0007325100 | DRIVER SPRING |
| 12 | 0020485000 | SUPPORT SHEET |
| 13 | 21500683++ | SCREW M2.5 |
| 14 | 0300025000 | AXLE |
| 15 | 23228553++ | Washer 6.2/10x0.15 |
| 16 | 23501753++ | Circlip For Shafts d1 5 DIN6799 - BN809 Art-No.1284665 |
| 17 | 0047205200 | LOW-HEAD-SCREW-M3 |
| 17 | 0017205300 | Thru Head Screw |
| 18 | 0301315000 | Latch |
| 18 | 0301315100 | Latch |
| 19 | 0078865043 | Socket Pan Head Thread Forming Screws M4x10 DIN7500 - BN13916 Art-No. 2027593 |
| 20 | 0015867000 | HOLDER CPL |
| 21 | 0015387200 | SHUTTLE RACE COVER CPL. |
| 22 | 0329495001 | SCREW M2,3X4 |
| 23 | 0082255004 | CYLINDRICAL PIN D3X80 |
| 24 | 0078885043 | Button Head Screw Torx Dt M4x10 |

BERNINA 325

Bobbin Case with BERNINA Logo

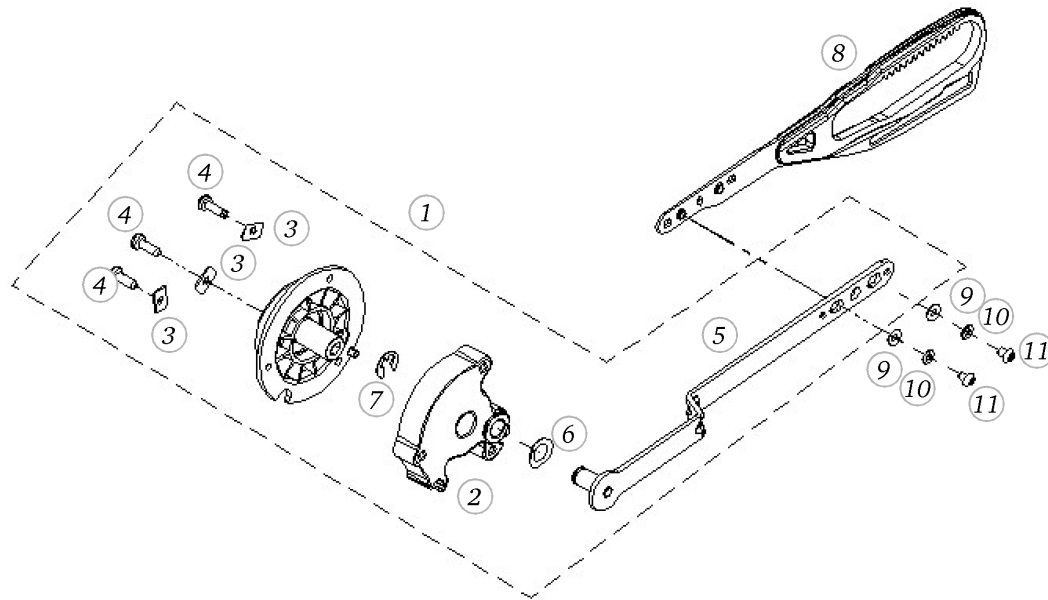


| Pos | Item number | Description |
|-----|-------------|---|
| 1 | 0302065400 | CB-HOOK |
| 2 | 0015367200 | BOBBIN |
| 2 | 0015367300 | Bobbin |
| 3 | 0015347150 | bobbin case cpl. bobbin case hinge nickle platet YS |
| 3 | 0015347250 | bobbin case cpl. bobbin case hinge nickle platet YS |
| 4 | 1028965000 | CB latch Spring BERNINA Logo |
| 5 | 1028975000 | CB latch BERNINA Logo |
| 6 | 1028985000 | CB flap BERNINA Logo |
| 7 | 1028945000 | CB tension spring BERNINA Logo |
| 8 | 1028955000 | CB tension screw BERNINA Logo |

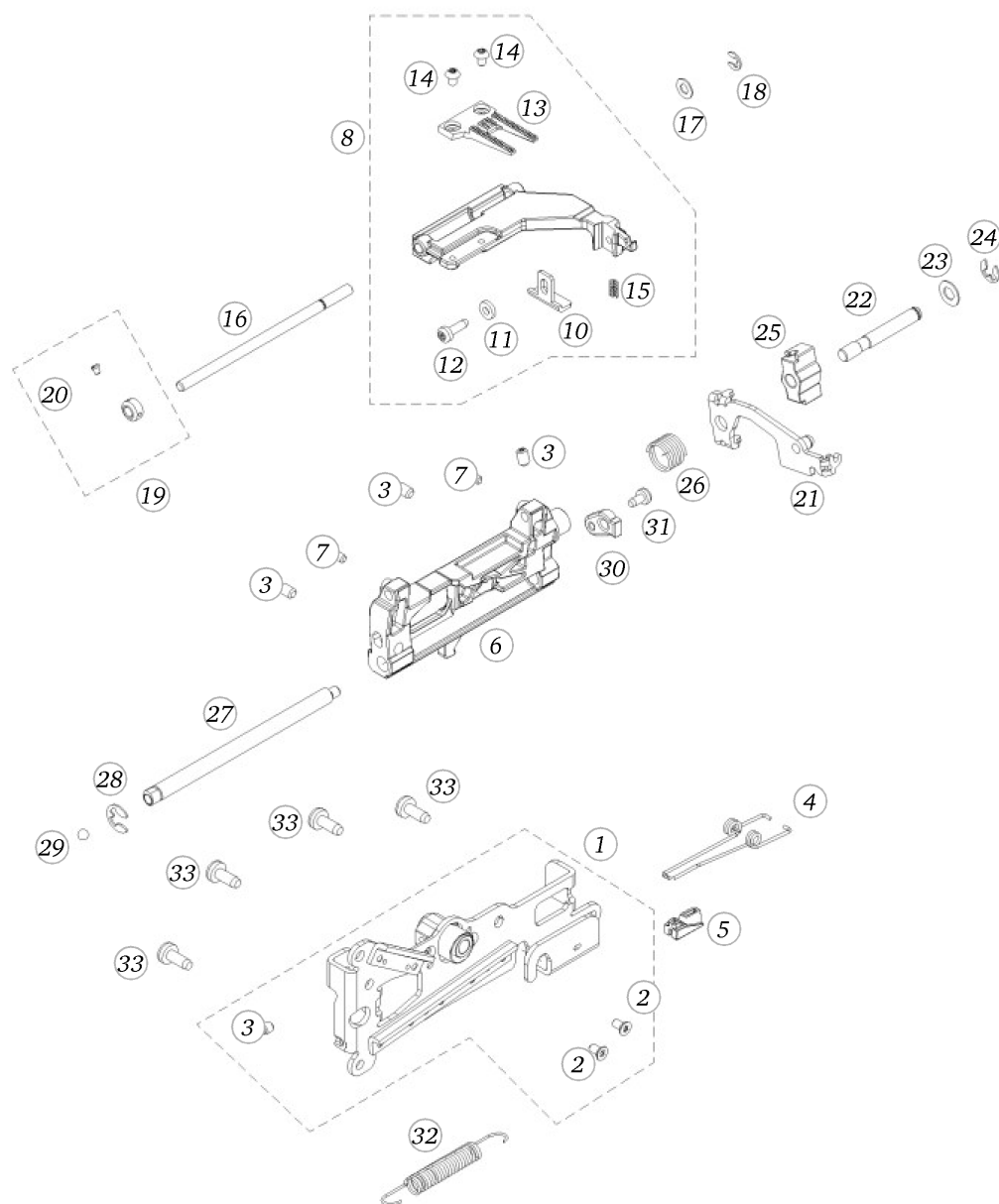


| Pos | Item number | Description |
|-----|-------------|--|
| 4 | 0078367002 | CRANK SHAFT CPL. |
| 1 | 0078367302 | CRANK SHAFT CPL. |
| 2 | 0078365001 | CRANK SHAFT |
| 3 | 0078955031 | Synthetic Washer |
| 4 | 0078235001 | Bearing |
| 5 | 23501753++ | Circlip For Shafts d1 5 DIN6799 - BN809 Art-No.1284665 |
| 6 | 0078035100 | STITCH LENGTH CLAMP V180 |
| 7 | 0078865045 | Socket Pan Head Thread Forming Screws M4x16 DIN7500 - BN13916 Art-No. 2027615 |
| 8 | 0078025000 | TOOTH SEGMENT |
| 9 | 0078865033 | Socket Pan Head Thread Forming Screws M3x6 DIN7500 - BN13916 Art-No. 2027534 |
| 40 | 0078445000 | Tension Spring De=5,0 L0=15,5 d=0,5 |
| 10 | 0343315000 | Tension Spring De=6 L0=18,5 d=0,85 |
| 11 | 0078715200 | FIXATION PIECE |
| 12 | 0078865043 | Socket Pan Head Thread Forming Screws M4x10 DIN7500 - BN13916 Art-No. 2027593 |
| 13 | 0079187100 | Spring Cpl |
| 14 | 0304497001 | Base Shaft/Hook Drive Crank - Replacement Set |
| 15 | 0048555000 | LIFTING CAM |
| 16 | 0048305000 | CARRIER |
| 17 | 0079135003 | Circlip d3 2 Quicklock - BN833 Art-No.1292811 |
| 18 | 0049645000 | SPRING |
| 19 | 0303625000 | SPRING |
| 20 | 0011695003 | ball G40 dm10 |
| 21 | 0048285200 | THRUST BEARING PLATE |
| 22 | 0078435000 | Zugfeder |
| 23 | 0321705000 | HOSE |
| 24 | 25603003++ | TENSION SPRING |
| 25 | 0301415000 | FEEDDOG LINKAGE LEVER |
| 26 | 0030735002 | O-ring Seal D4/d2 70ShoreA NBR DIN3771 |
| 27 | 25606703++ | TENSION SPRING |
| 28 | 23226953++ | WASHER 5.3x8.5x0.15 |

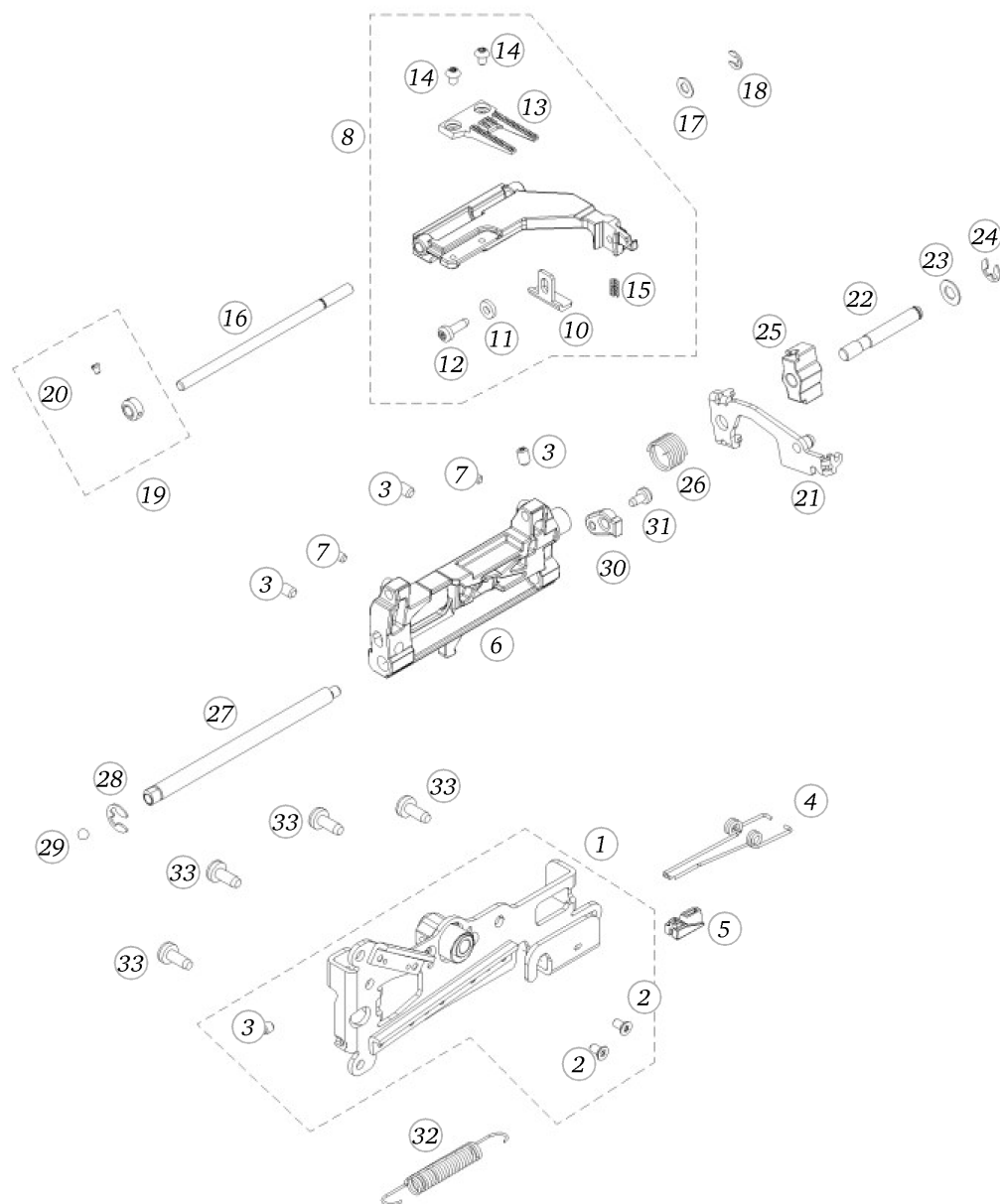
Hook Driving System



| Pos | Item number | Description |
|-----|-------------|--|
| 1 | 0304497001 | Base Shaft/Hook Drive Crank - Replacement Set |
| 2 | 0312225000 | HOOK DRIVE CRANK |
| 3 | 0301995000 | WASHER |
| 4 | 0078865035 | Socket Pan Head Thread Forming Screws M3x10 DIN7500 - BN13916 Art-No. 2027550 |
| 5 | 0049397000 | CRANK ARM CPL |
| 6 | 23228653++ | WASHER 7.2x12x0.1 |
| 7 | 23501753++ | Circlip For Shafts d1 5 DIN6799 - BN809 Art- No.1284665 |
| 8 | 0301575200 | TOOTHED RACK FORK |
| 9 | 22951923++ | Flat Washer d3.2/D 7xs0.5 |
| 10 | 23225753++ | Curved Spring Washers M3 DIN 137 A - BN795 Art- No. 1280317 |
| 11 | 0032465008 | Socket Button Head Screws M3x4.5 screw head after BN6404 |

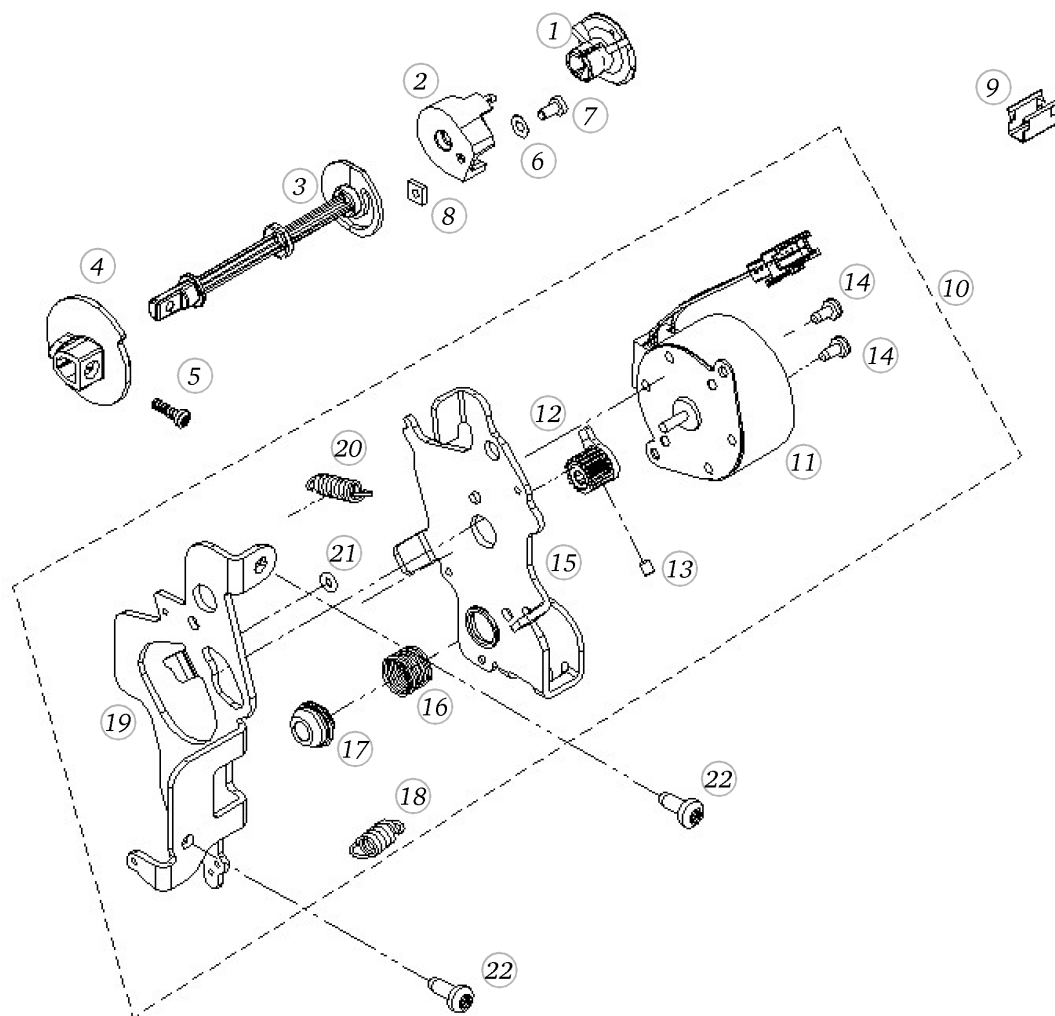


| Pos | Item number | Description |
|-----|-------------|---|
| 1 | 0309337000 | SUPPORT SHEET CPL |
| 2 | 0302345032 | SCREW |
| 3 | 0078665043 | Hexalobular Socket Set Screws M4x6 ISO 4026 - BN11493 Art-No. 3060208 |
| 4 | 0301215100 | SPRING |
| 5 | 0049595000 | SLIDE BLOCK |
| 6 | 0000245600 | FEED DOG FORK |
| 7 | 0078665031 | Hexalobular Socket Set Screws M3x4 ISO 4026 - BN11493 Art-No. 3060200 |
| 8 | 0302217000 | FEEDDOG SUPPORTER CPL. |
| 9 | 0302155000 | FEEDDOG 5.5 MM |
| 10 | 0000785200 | ADJUSTING PLATE |
| 11 | 22952113++ | Washer 3.2/7x1.5 black finished |
| 12 | 0000785200 | ADJUSTING PLATE |
| 13 | 0302155000 | FEEDDOG 5.5 MM |
| 14 | 0032465008 | Socket Button Head Screws M3x4.5 screw head after BN6404 |
| 15 | 25524003++ | Compression Spring De= 3,2 L0=7 d=0,45 |
| 16 | 0302015000 | SLIDING AXLE |
| 17 | 22954983++ | Shim Rings 4x0.5 DIN988 - BN1976 Art-No. 3059655 |
| 18 | 23501453++ | Circlips For Shafts d1 4 DIN6799 - BN809 Art-No.1284657 |
| 19 | 0011217001 | Adjusting Ring Cpl with 1 screw |
| 20 | 20500353++ | Cylinder Head Screw M2x2.5 |
| 21 | 0078047200 | THRUST REVERSER CPL. |
| 22 | 0078075000 | BOLT |
| 23 | 23100203++ | Flat Washer d5.2-10x0.5 |
| 24 | 23501453++ | Circlips For Shafts d1 4 DIN6799 - BN809 Art-No.1284657 |
| 25 | 0049975000 | BEARING |
| 26 | 0079055000 | SPRING |
| 27 | 0049695100 | ECCENTRIC SHAFT |
| 28 | 23501753++ | Circlip For Shafts d1 5 DIN6799 - BN809 Art-No.1284665 |



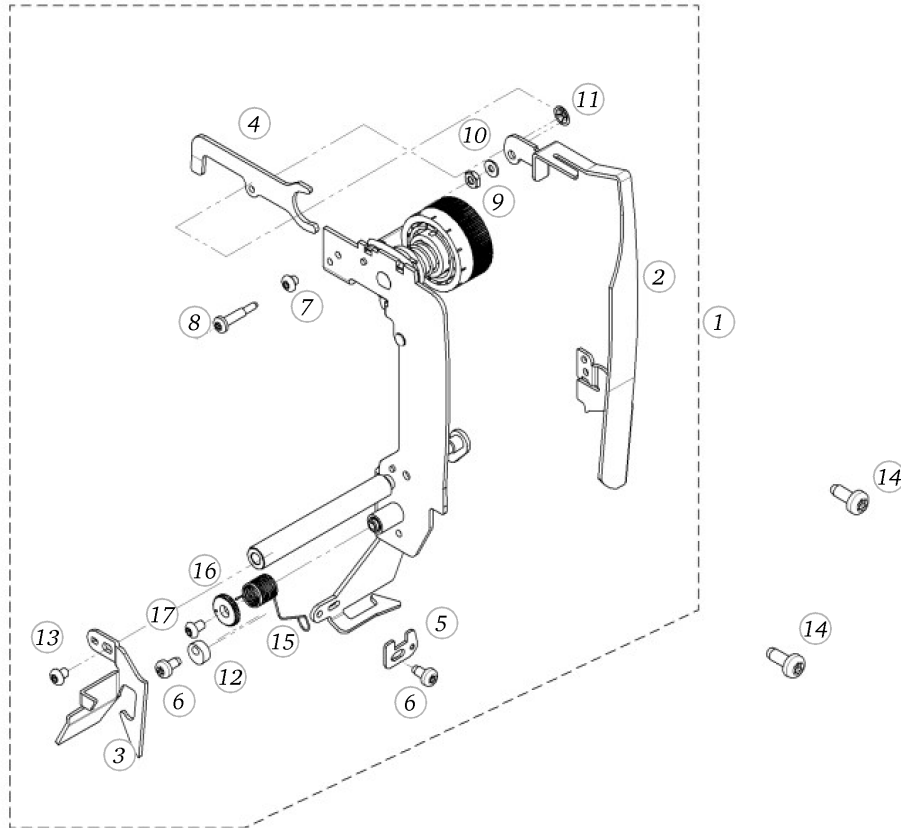
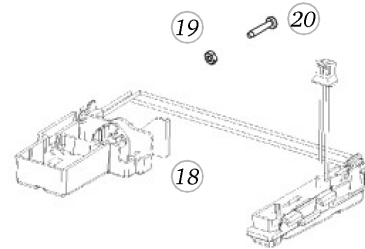
| Pos | Item number | Description |
|-----|-------------|--|
| 29 | 0011695002 | Steel Ball G40 D4 DIN5401 - BN869 Art-No. 1316281 |
| 30 | 0049975000 | BEARING |
| 31 | 0078865033 | Socket Pan Head Thread Forming Screws M3x6 DIN7500 - BN13916 Art-No. 2027534 |
| 32 | 0078905000 | SPRING |
| 33 | 0078865043 | Socket Pan Head Thread Forming Screws M4x10 DIN7500 - BN13916 Art-No. 2027593 |

Feed Dog Unit



| Pos | Item number | Description |
|-----|-------------|---|
| 1 | 0088607200 | CAP CPL |
| 2 | 0078315100 | ADJUSTING SUPPORT |
| 3 | 0301585100 | ROTATION CONNECTOR |
| 4 | 0078285100 | ADJUSTMENT CAM |
| 5 | 0329895012 | Delta Pt Pan Head Screw With Torx 3x10 |
| 6 | 22951923++ | Flat Washer d3.2/D 7xs0.5 |
| 7 | 0077525031 | Head Cap Screw Torx M3x6 ISO 14580 - BN4850 Art-No. 1145929 |
| 8 | 22683623++ | 4 SIDED NUT |
| 9 | 0048315000 | Clamp |
| 10 | 0303117300 | STEPPING MOTOR SL CPL. |
| 11 | 0078355202 | STEPPING MOTOR SL |
| 12 | 0078085100 | PINION |
| 13 | 0078665031 | Hexalobular Socket Set Screws M3x4 ISO 4026 - BN11493 Art-No. 3060200 |
| 14 | 0078865033 | Socket Pan Head Thread Forming Screws M3x6 DIN7500 - BN13916 Art-No. 2027534 |
| 15 | 0303075000 | MOTOR SUPPORT SHEET |
| 16 | 0078565000 | SPRING |
| 17 | 0078545000 | Bearing |
| 18 | 0306905000 | Spring |
| 19 | 0088295200 | SUPPORT SHEET |
| 20 | 25629203++ | Spring |
| 21 | 0030735005 | O-ring Seal D3/d1.5 70±5 IRHD NBR 70,5 / 5 P DIN3771 |
| 22 | 0078865043 | Socket Pan Head Thread Forming Screws M4x10 DIN7500 - BN13916 Art-No. 2027593 |

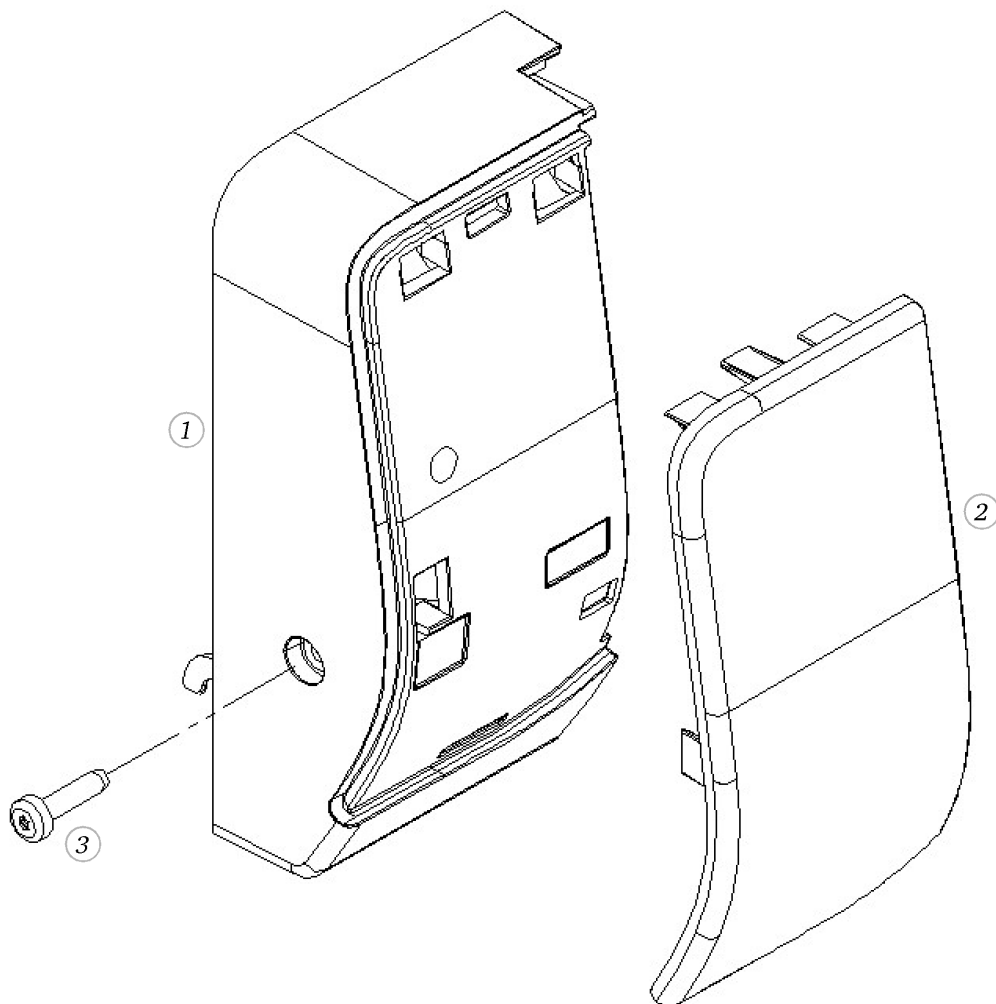
Take Up Lever and Sewing Light



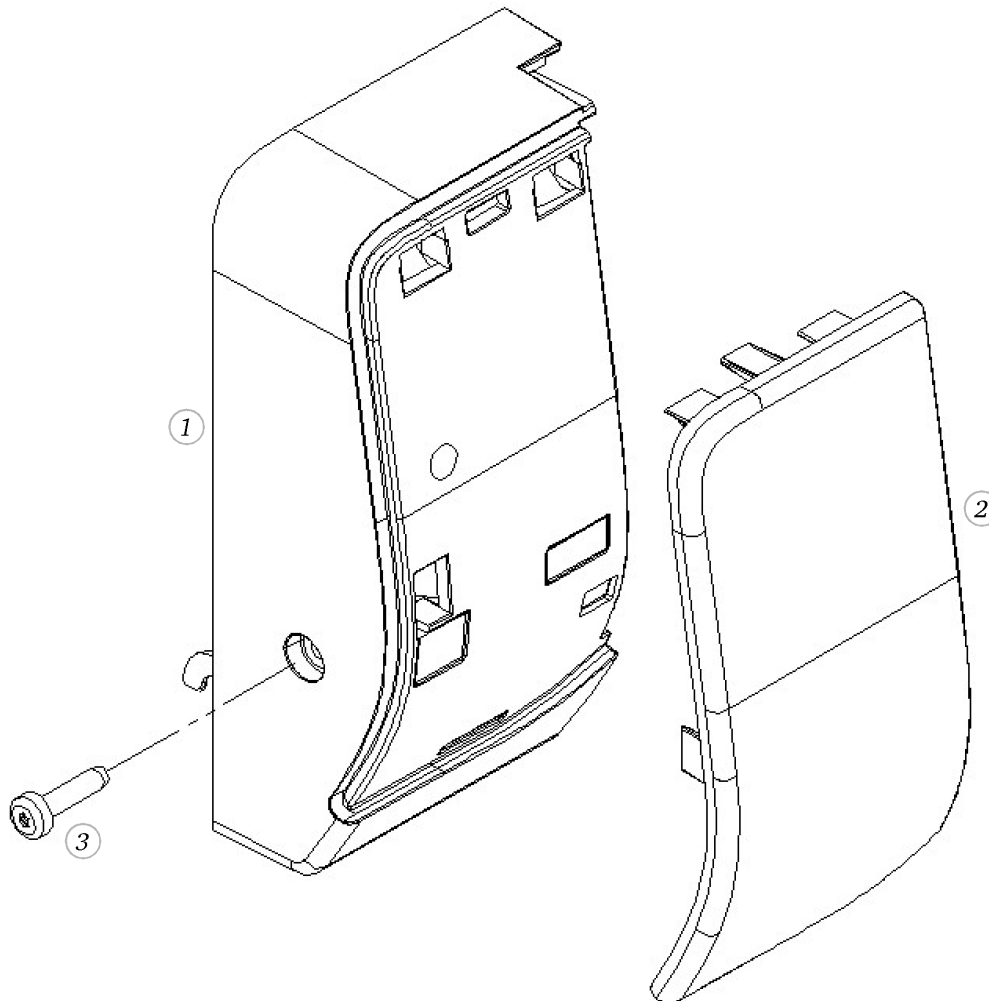
| Pos | Item number | Description |
|-----|-------------|--|
| 4 | 0049417601 | TAKE-UP-LEVER COVER CPL. |
| 1 | 0049417700 | Take up Lever Cover standard |
| 2 | 0079505303 | TAKE-UP-LEVER COVER |
| 2 | 0079505302 | TAKE-UP-LEVER COVER |
| 3 | 0079515000 | COVER REGULATOR |
| 4 | 0049325200 | RELEASE FORK |
| 5 | 0082855001 | Z-Z LIMITATION 5,5MM |
| 6 | 0078865033 | Socket Pan Head Thread Forming Screws M3x6 DIN7500 - BN13916 Art-No. 2027534 |
| 7 | 0032465109 | Socket Button Head Screws M3x3 ISO 7380-1 - BN6404 Art-No. 3645748 |
| 8 | 0300295100 | ADJUSTING SCREW |
| 9 | 22502013++ | Hex Jam Nut M3 Din439b |
| 10 | 22950313++ | Washer d2.5 x D6 x s0.5 |
| 11 | 0079135003 | Circlip d3 2 Quicklock - BN833 Art-No.1292811 |
| 12 | 0079565000 | BUFFER BLOCK |
| 13 | 0032465007 | Socket Button Head Screws M3x 4 ISO 7380-1 - BN6404 Art-No. 3148111 |
| 14 | 0078865043 | Socket Pan Head Thread Forming Screws M4x10 DIN7500 - BN13916 Art-No. 2027593 |
| 15 | 0079545401 | Regulator Spring |
| 16 | 0326395000 | Knurled Washer |
| 17 | 0032465031 | Socket Button Head Screws M3x 5 ISO 7380-1 - BN6404 Art-No. 3148113 |
| 18 | 0330327100 | SEWING LIGHT CPL. |
| 19 | 22500203++ | NUT M2 0,8D |
| 20 | 0078865015 | Socket Pan Head Thread Forming Screws M2x10 DIN7500 - BN13916 Art-No. 3271298 |

Head Cover (BERNINA 325)

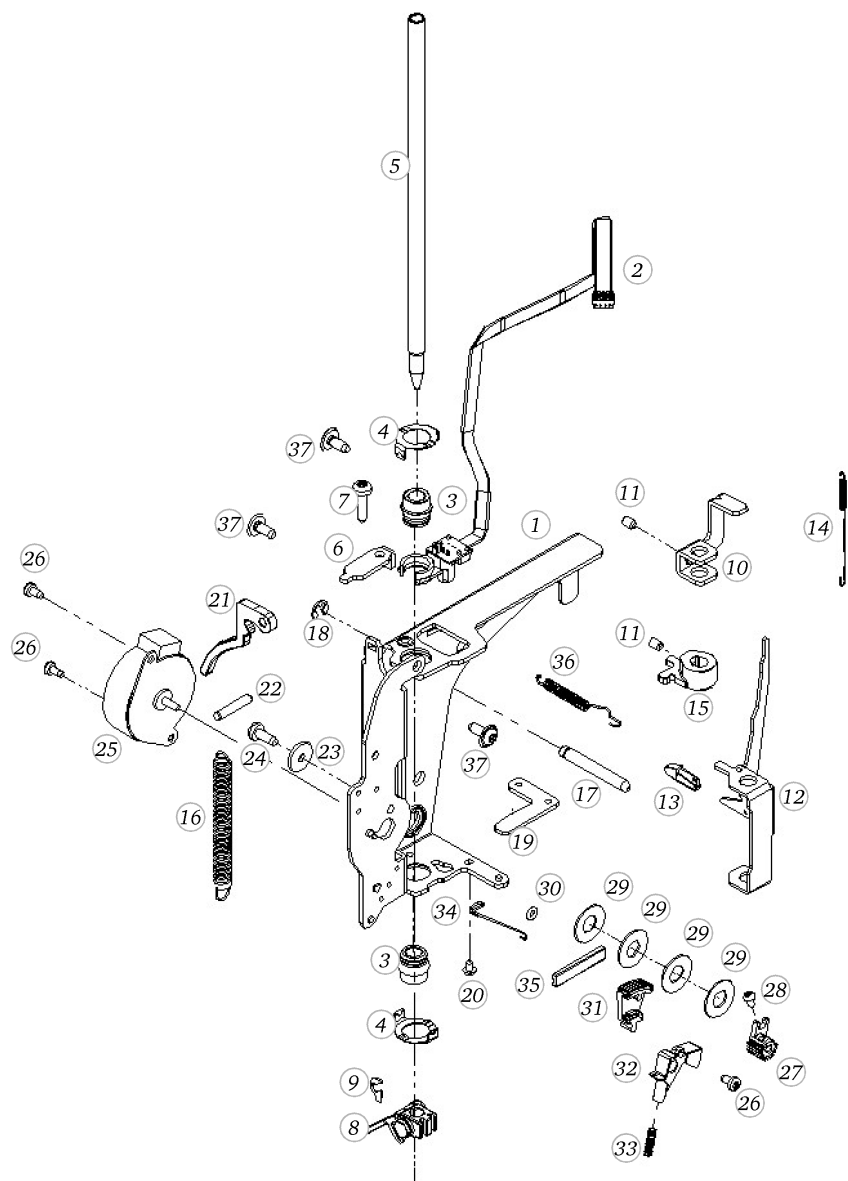
| Pos | Item number | Description |
|-----|-------------|--|
| 1 | 0330295200 | HEAD COVER B3XX |
| 2 | 0330285022 | panel head cover B325 |
| 3 | 0078865045 | Socket Pan Head Thread Forming Screws M4x16 DIN7500 - BN13916 Art-No. 2027615 |



| Pos | Item number | Description |
|-----|-------------|--|
| 1 | 0330295200 | HEAD COVER B3XX |
| 2 | 0330285023 | Panel Head Cover B 335 |
| 3 | 0078865045 | Socket Pan Head Thread Forming Screws M4x16 DIN7500 - BN13916 Art-No. 2027615 |

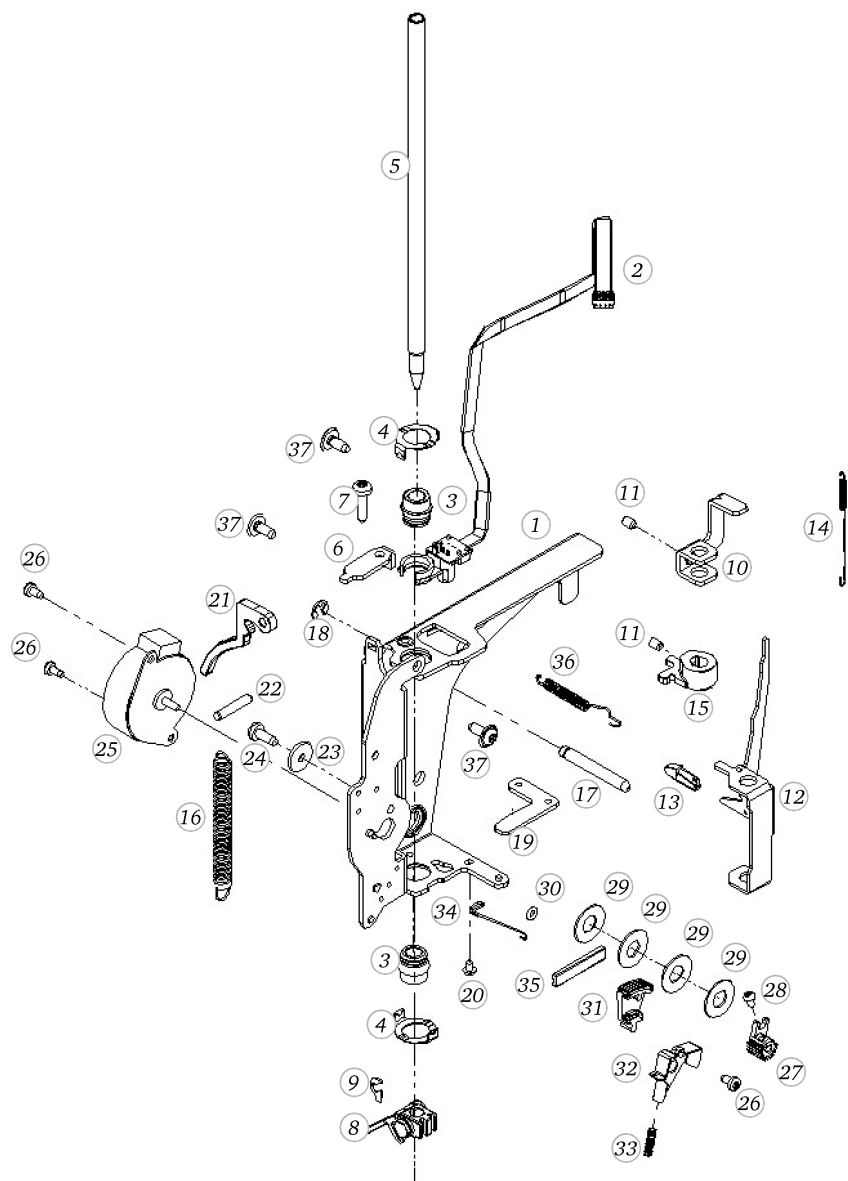


Headplate

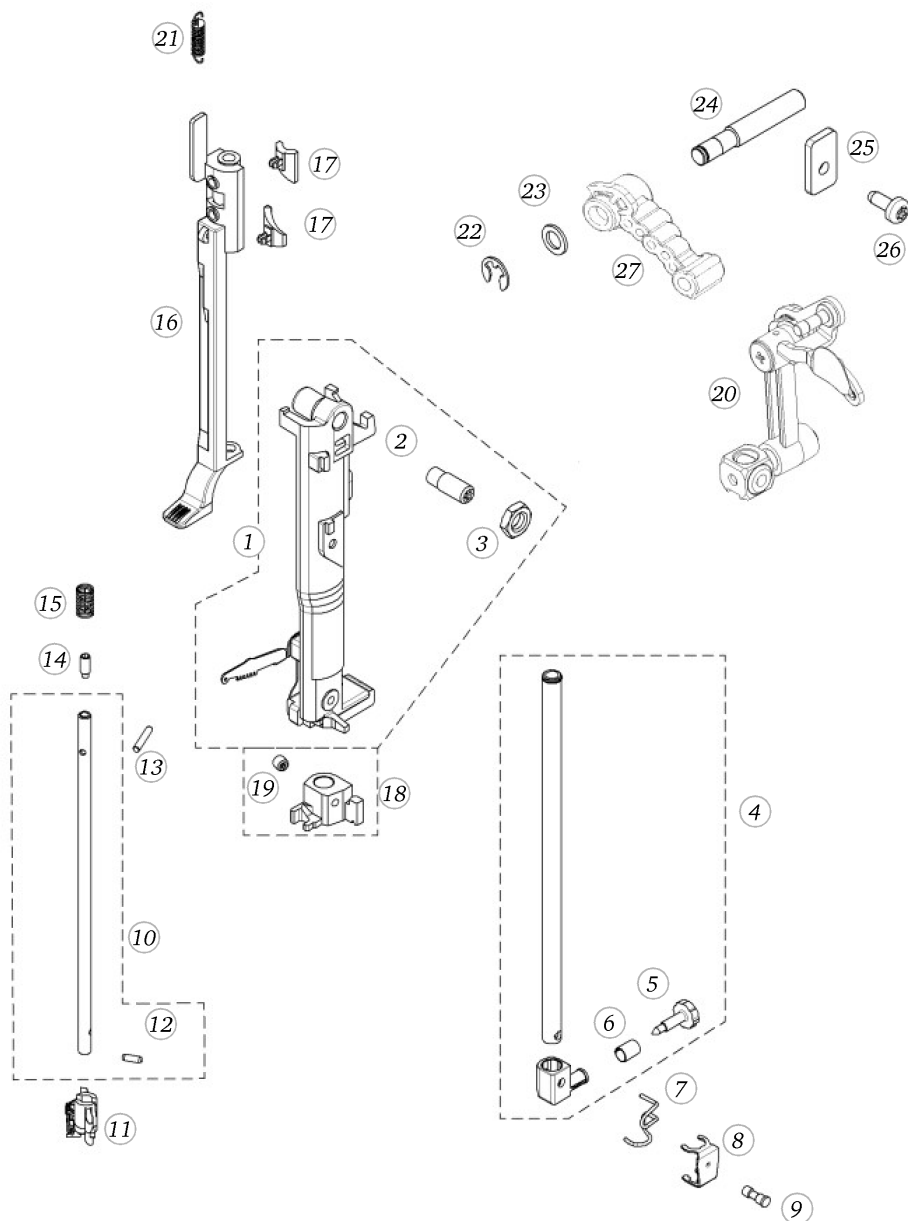


| Pos | Item number | Description |
|-----|-------------|--|
| 1 | 0088065200 | HEAD PLATE |
| 2 | 0159787201 | PRINT BUTTONHOLE SENSOR |
| 3 | 0088105200 | CALOTTE BUSHING MACHINED |
| 4 | 0048875000 | Clasp |
| 5 | 0087335000 | PRESSER FOOT BAR 157.5 |
| 6 | 0301285000 | CLAMPING SHOE |
| 7 | 0078865045 | Socket Pan Head Thread Forming Screws M4x16 DIN7500 - BN13916 Art-No. 2027615 |
| 8 | 0011177101 | Clamp piece cpl. |
| 9 | 0089325000 | Safety Plate |
| 10 | 0089225000 | LEVER |
| 11 | 0078665043 | Hexalobular Socket Set Screws M4x6 ISO 4026 - BN11493 Art-No. 3060208 |
| 12 | 0088095100 | ENGAGING LEVER |
| 13 | 0306255000 | Cap |
| 14 | 0303585100 | Spring |
| 15 | 0089247100 | PRESSER BAR GUIDE CPL |
| 16 | 0303715000 | NFS-SPRING |
| 17 | 0087145002 | BOLT |
| 18 | 23501453++ | Circlips For Shafts d1 4 DIN6799 - BN809 Art- No.1284657 |
| 19 | 0049075000 | ADJUSTING ARM |
| 20 | 0032465008 | Socket Button Head Screws M3x4.5 screw head after BN6404 |
| 21 | 0075685300 | LIFTING LEVER |
| 22 | 24116643++ | PIN D 4.0X20 |
| 23 | 22954313++ | Washer d4.2xD14xs1.5 |
| 24 | 0078865043 | Socket Pan Head Thread Forming Screws M4x10 DIN7500 - BN13916 Art-No. 2027593 |
| 25 | 0337875000 | STEPPER MOTOR |
| 25 | 0078355005 | STEPPING MOTOR SB |
| 26 | 0078865033 | Socket Pan Head Thread Forming Screws M3x6 DIN7500 - BN13916 Art-No. 2027534 |
| 27 | 0302135000 | PINION |

Headplate

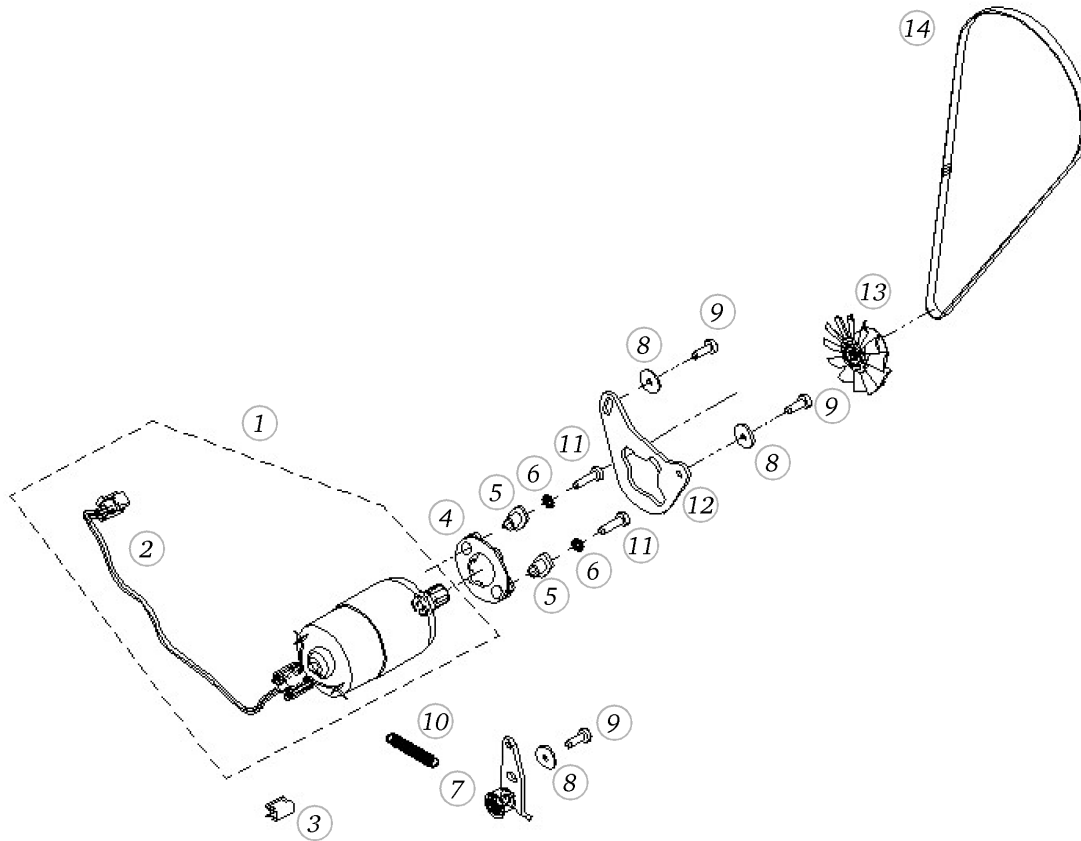


| Pos | Item number | Description |
|-----|-------------|---|
| 28 | 0032465110 | Socket Button Head Screws M3x 6 ISO 7380-1 - BN6404 Art-No. 1982990 |
| 29 | 0303195000 | DISC SPRING De=18 / di=8,2 / t=0,8 |
| 30 | 0030735005 | O-ring Seal D3/d1.5 70±5 IRHD NBR 70,5 / 5 P DIN3771 |
| 31 | 0300895000 | ZZ-SEGMENT |
| 32 | 0049065100 | ZZ SUPPORT |
| 33 | 0303595000 | Spring |
| 34 | 0303445000 | SPRING |
| 35 | 0302045000 | Slideway |
| 36 | 0303575200 | SPRING |
| 37 | 0078885043 | Button Head Screw Torx Dt M4x10 |



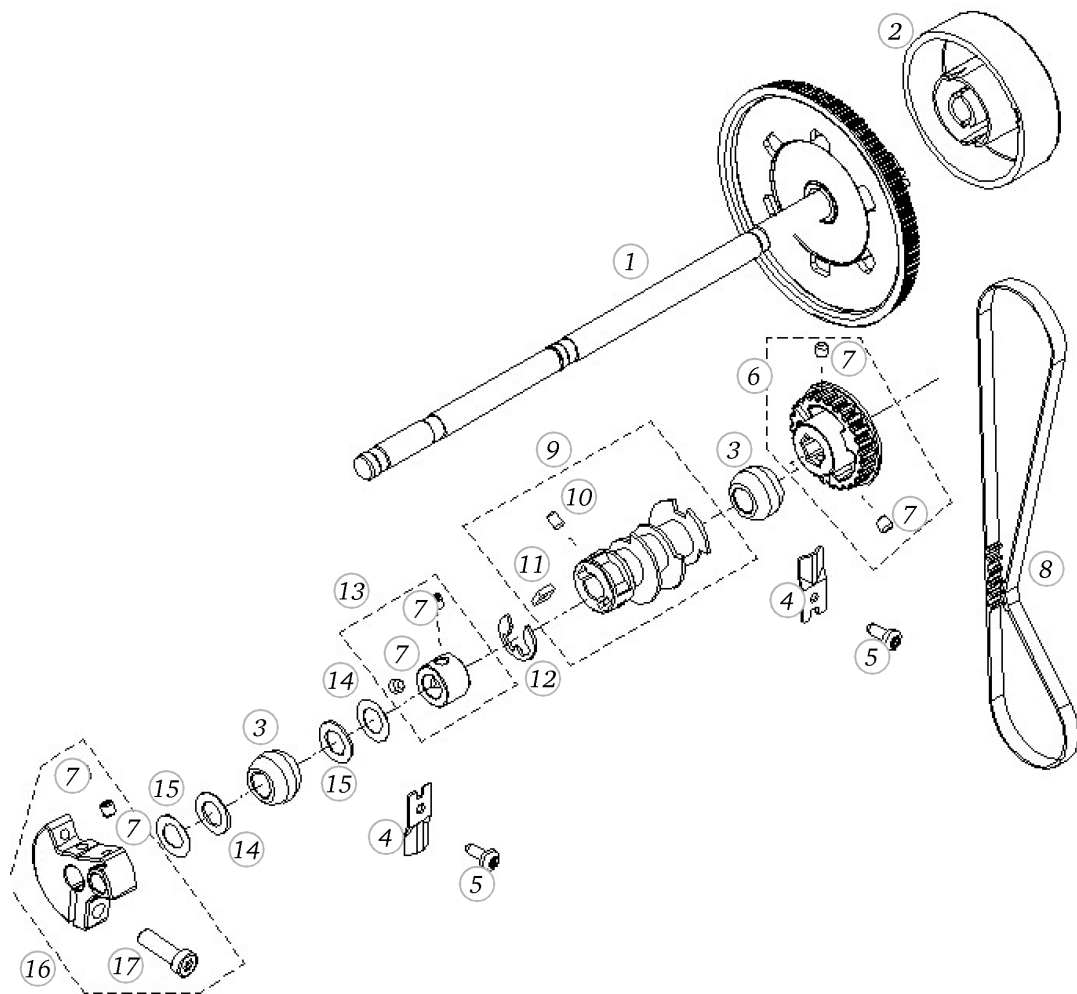
| Pos | Item number | Description |
|-----|-------------|---|
| 1 | 0320797001 | NEEDLE BAR SUPPORT SET |
| 2 | 0320115000 | ADJUSTING-SCREW |
| 3 | 0320125000 | 0320125_00 |
| 4 | 0082087101 | NEEDLE BAR CPL. W/O Q2.9 |
| 5 | 0082435300 | Needle Clamp Screw |
| 5 | 0082435400 | Needle Clamp Screw |
| 6 | 0012965200 | Spring Husk |
| 7 | 0315035100 | THREAD GUIDE |
| 8 | 0315025000 | Clamp |
| 9 | 0082115002 | PIN Ø2.20 |
| 10 | 0075747200 | Threader Device Cpl. |
| 11 | 0337927100 | Threader Head Packed Semi-automatic |
| 12 | 0075955015 | PIN |
| 13 | 24105643++ | Parallel Pin Hardened 2h6x12 BN 858 |
| 14 | 20150113++ | Hexagon Socket Set Screw M3x8 |
| 15 | 0075965000 | Druckfeder - |
| 16 | 0306445100 | Thread-up Support |
| 17 | 0306495000 | Curve Inset |
| 18 | 0075637300 | Guide Assembled |
| 19 | 0078665041 | Hexalobular Socket Set Screws M4x4 ISO 4026 - BN11493 Art-No. 3060207 |
| 20 | 0087987302 | THREAD TAKE UP LEVER CPL. |
| 21 | 25625503++ | Spring |
| 22 | 23501753++ | Circlip For Shafts d1 5 DIN6799 - BN809 Art-No.1284665 |
| 23 | 23001213++ | Flat Washer d6.2xD10xs1 |
| 24 | 0088205000 | BOLT |
| 25 | 0049205100 | Clamp |
| 26 | 0078865043 | Socket Pan Head Thread Forming Screws M4x10 DIN7500 - BN13916 Art-No. 2027593 |
| 27 | 0082025200 | TAKE-UP-LINK |
| 27 | 0082025300 | Take-up-Link |

Motor



| Pos | Item number | Description |
|-----|-------------|--|
| 1 | 0078847201 | DRIVER MOTOR CPL |
| 2 | 0038537101 | MOTOR CABLE CPL |
| 3 | 0048315000 | Clamp |
| 4 | 0078985100 | Cuff |
| 4 | 0078985200 | Cuff |
| 5 | 0078995100 | Bushing |
| 5 | 0078995200 | Bushing |
| 6 | 23350653++ | Curved Spring Washe d4.3xD8xs0.5 |
| 7 | 0302147000 | BELT STRETCHER PREASSEMBLED |
| 8 | 22954313++ | Washer d4.2xD14xs1.5 |
| 9 | 0078865044 | Socket Pan Head Thread Forming Screws M4x12 DIN7500 - BN13916 Art-No. 2027607 |
| 10 | 25604703++ | TENSION SPRING |
| 11 | 0078865045 | Socket Pan Head Thread Forming Screws M4x16 DIN7500 - BN13916 Art-No. 2027615 |
| 12 | 0088495000 | Motor Support |
| 13 | 0304355200 | MOTOR FAN |
| 14 | 0079035002 | BELT STD-554-S2M-6 |

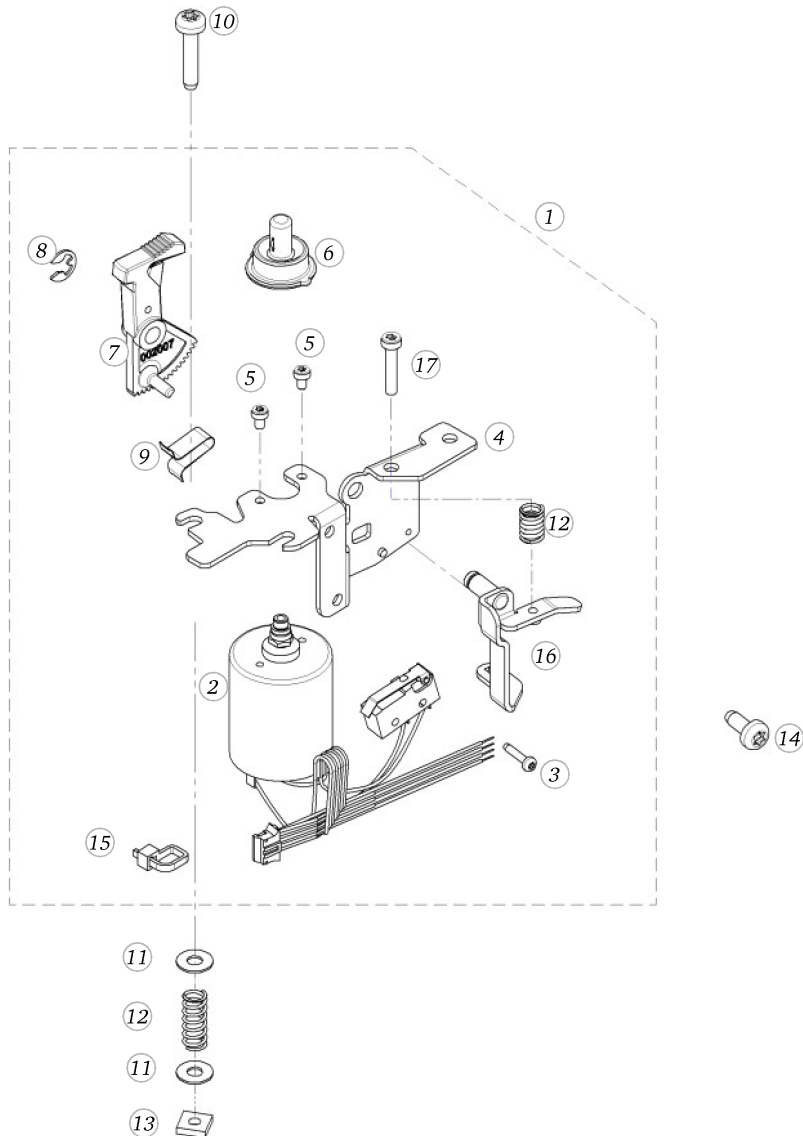
Upper Shaft



| Pos | Item number | Description |
|-----|-------------|--|
| 4 | 0332787300 | MAIN-SHAFT-CPL |
| 1 | 0332787400 | MAIN SHAFT CPL |
| 2 | 0343955000 | Hand-Wheel |
| 2 | 0343955200 | Hand Wheel |
| 3 | 0078235002 | Bearing 10 |
| 4 | 0077785200 | Clamping Clow with slote |
| 4 | 0077785300 | Clamping Clow with slote |
| 5 | 0078865043 | Socket Pan Head Thread Forming Screws M4x10 DIN7500 - BN13916 Art-No. 2027593 |
| 6 | 0019947301 | BELT DRIVE 24 TEETH |
| 7 | 0078685072 | Hexalobular Socket Set Screws M5x0,5x5 |
| 8 | 0079035022 | BELT 188 XL |
| 9 | 0077547101 | SYNCHR.DISK CPL. |
| 10 | 0078665043 | Hexalobular Socket Set Screws M4x6 ISO 4026 - BN11493 Art-No. 3060208 |
| 11 | 22684183++ | Square Thin Nuts M4 DIN 562 - BN145 Art-No. 1092502 |
| 12 | 0079665011 | Circlip For Shafts As 9.0, Benzing |
| 13 | 0077817000 | Adjusting Ring Cpl. |
| 14 | 303200031+ | Washer |
| 15 | 0078955071 | Synthetic Washer 10,3 x 17 x 1 |
| 16 | 0077807100 | BALANCE PIECE CPL. |
| 17 | 0077525066 | Head Cap Screw Torx M6x20 ISO 14580 - BN4850 Art-No. 1146149 |
| 17 | 0077525067 | SCREW |

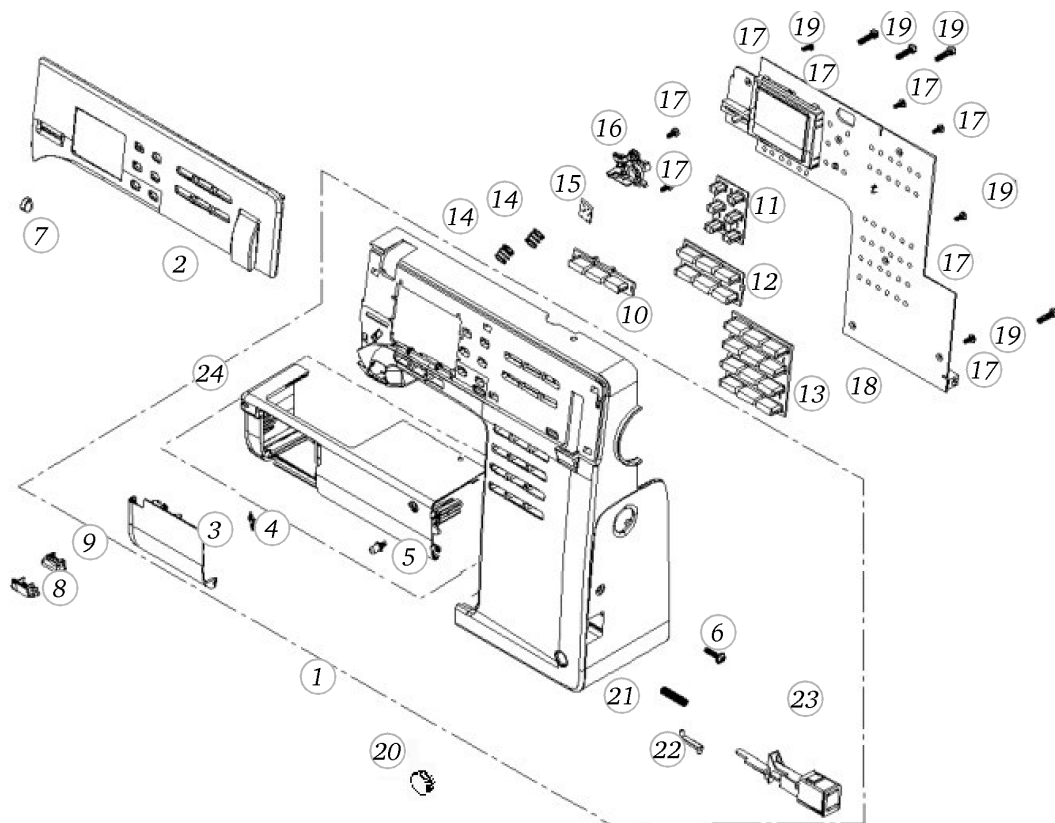
BERNINA 325

Bobbinwinder



| Pos | Item number | Description |
|-----|-------------|--|
| 1 | 0311537200 | BOBBIN WINDER CPL. |
| 2 | 0022577103 | BOBBIN WINDER MOTOR CPL. |
| 2 | 0311537200 | BOBBIN WINDER CPL. |
| 3 | 0078865015 | Socket Pan Head Thread Forming Screws M2x10 DIN7500 - BN13916 Art-No. 3271298 |
| 4 | 0311515000 | WINDER SUPPORT |
| 5 | 0077525020 | SCREW TORX M2.5X4 |
| 6 | 0018437200 | Spool Carrier Cpl. white |
| 7 | 0020077100 | BOBBIN WINDER LEVER CPL. |
| 8 | 23501453++ | Circlips For Shafts d1 4 DIN6799 - BN809 Art- No.1284657 |
| 9 | 0077745000 | Spring |
| 10 | 0078865046 | Socket Pan Head Thread Forming Screws M4x20 DIN7500 - BN13916 Art-No. 3070342 |
| 11 | 22955013++ | Flat Washer 4.3/10x0.6 black |
| 12 | 25545003++ | Spring |
| 13 | 22683903++ | Square Nuts M4 s8x2 bright |
| 14 | 0078865043 | Socket Pan Head Thread Forming Screws M4x10 DIN7500 - BN13916 Art-No. 2027593 |
| 15 | 329374030+ | CABLE TIE 2,5 x 98mm |
| 16 | 0311527100 | Governor Lever Cpl |
| 17 | 0077525035 | Head Cap Screw Torx M3x16 ISO 14580 - BN4850 Art-No. 1145967 |

BERNINA 325

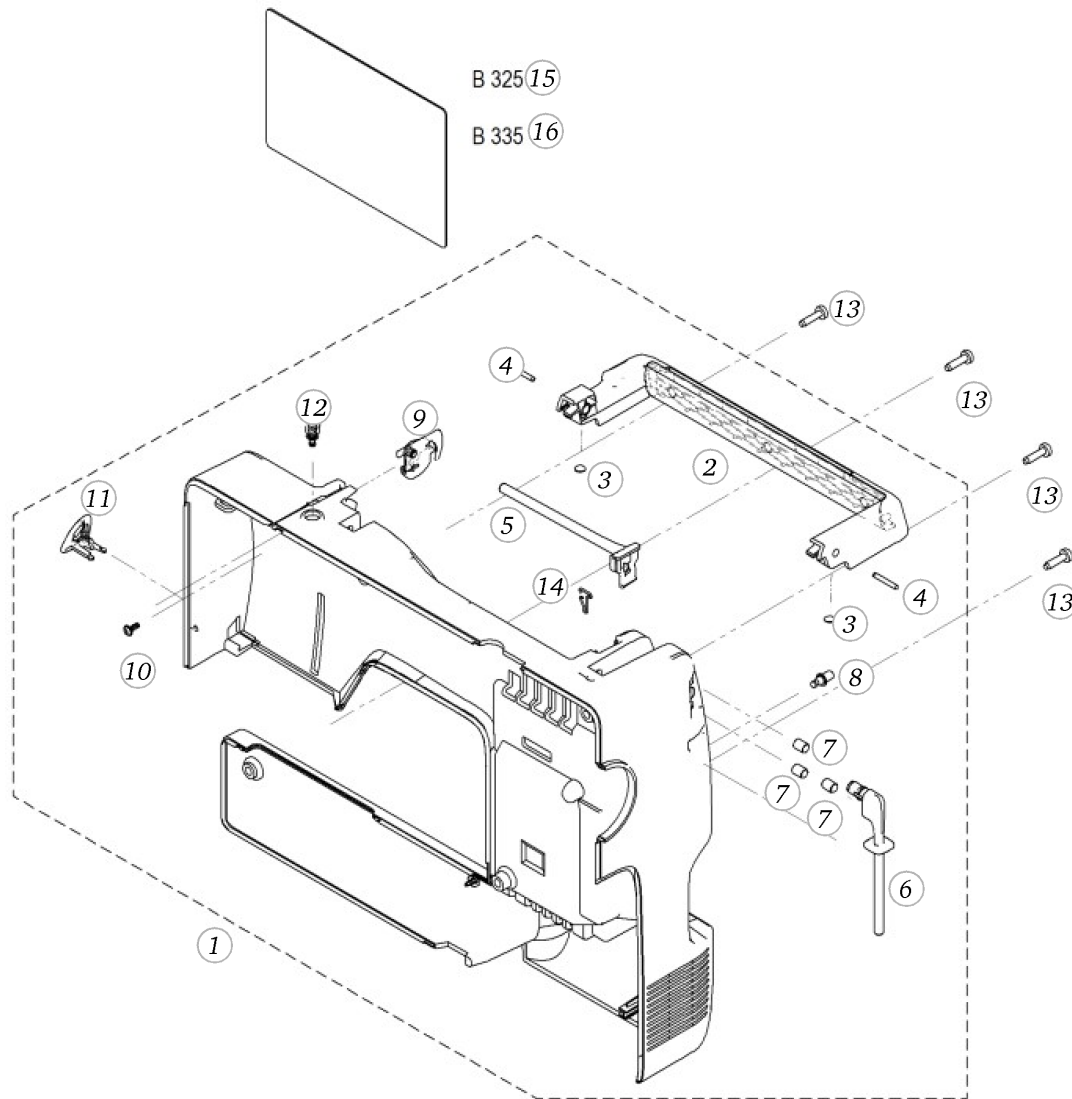


Front Cover

| Pos | Item number | Description |
|-----|-------------|---|
| 1 | 0329927300 | FRONT COVER CPL B330-380 |
| 2 | 0330275022 | Panel front cover B3xx white |
| 3 | 0329917000 | BOBBIN DOOR CPL |
| 4 | 0321337000 | THREAD CUTTER CPL |
| 5 | 0330135000 | BOLT |
| 6 | 0329905043 | Delta Pt Round Washer Head Screw With Torx 4x16 |
| 7 | 0311165101 | Knob chrom plated |
| 8 | 0330185000 | RETKEY |
| 9 | 0330195200 | STARTKEY |
| 10 | 0330175000 | RUBBER PAD NS |
| 11 | 0330165000 | RUBBER PAD PF |
| 12 | 0330155000 | RUBBER PAD MEM |
| 13 | 0330145000 | RUBBER PAD NUM |
| 14 | 0330215000 | SPRING |
| 15 | 0330205100 | BRIDGE |
| 16 | 0330227000 | PCBA-RET |
| 17 | 0330227100 | PCBA RET |
| 17 | 0329905022 | Delta Pt Round Washer Head Screw With Torx 3x 8 |
| 18 | 0330257600 | PCBA-BASIS 3xx |
| 18 | 0330257700 | PCBA Basis |
| 19 | 0329895034 | Delta PT pan head screw |
| 20 | 0078275000 | PLUG |
| 21 | 0321135000 | Spring |
| 22 | 0300965000 | SWITCH LEVER |
| 23 | 0330125000 | SWITCH PUSH BUTTON |
| 24 | 0338357000 | FREE-ARM COVER 3 SERIES |

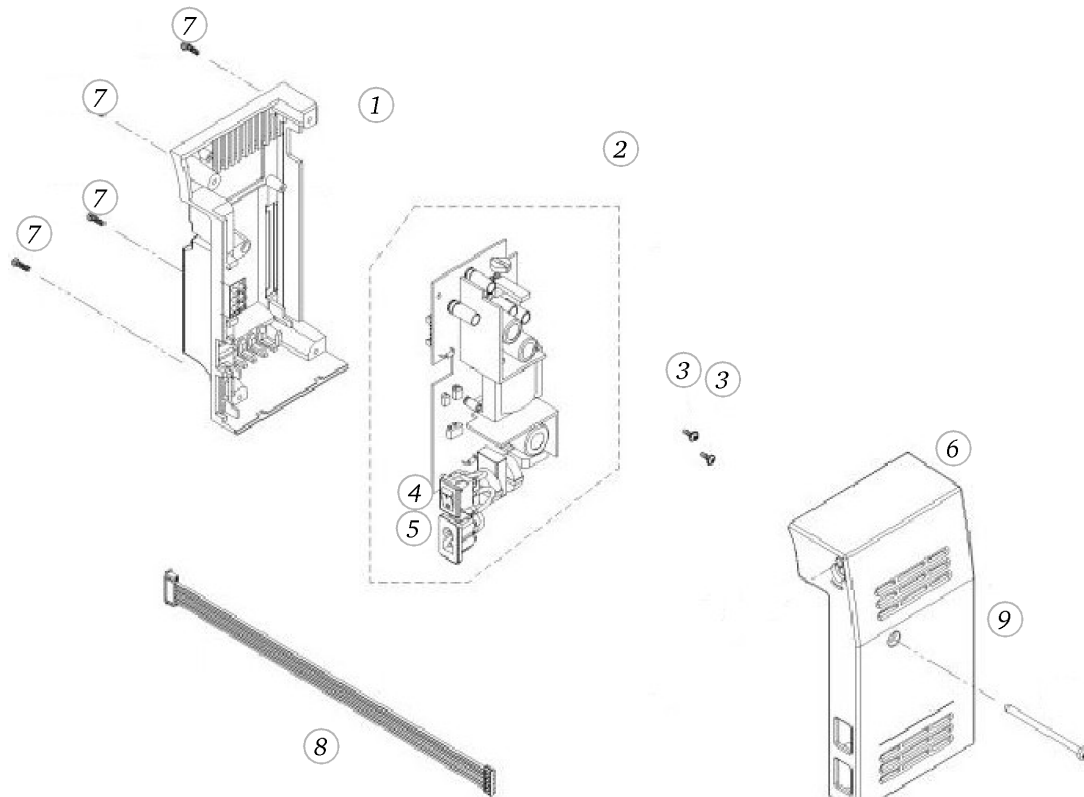
BERNINA 325

Rear Cover



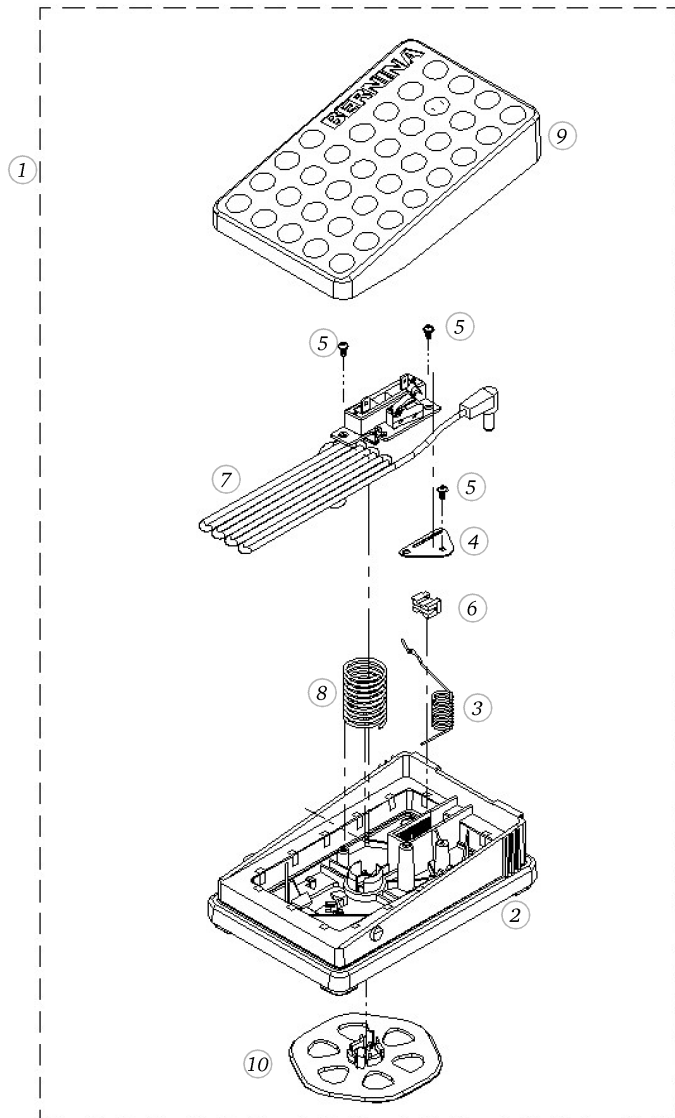
| Pos | Item number | Description |
|-----|-------------|--|
| 1 | 0329937100 | REAR COVER CPL. |
| 2 | 0330397000 | HANDLE CPL. |
| 3 | 0300725000 | Bumpers |
| 4 | 0082255022 | CYL.PIN 5X20 |
| 5 | 0330385000 | Spool Support |
| 6 | 0330367000 | Spool Support Pin Turnable Cpl. |
| 7 | 0330375000 | Magnet |
| 8 | 0330135000 | BOLT |
| 9 | 0049047301 | THREAD GUIDE ASSEMBLY |
| 9 | 1037387000 | Thread Guide Cpl |
| 10 | 0329905022 | Delta Pt Round Washer Head Screw With Torx 3x 8 |
| 11 | 0330417000 | Thread Cutter Cpl. |
| 12 | 0048497200 | BOBBIN WINDER THREAD TENSION CPL. |
| 13 | 0078865045 | Socket Pan Head Thread Forming Screws M4x16 DIN7500 - BN13916 Art-No. 2027615 |
| 14 | 0330425000 | Eye Hook |
| 15 | 1038165000 | Stitch card B 325 |
| 16 | 1038155000 | Stitch card B 335 |

BERNINA 325



Power supply

| Pos | Item number | Description |
|-----|-------------|---|
| 1 | 0306365102 | UNIVERSAL POWER SUPPLY BODY |
| 2 | 0309447700 | UNIVERSAL L-PRINT CPL. |
| 2 | 0309447800 | PCBA power supply B215 / B3xx |
| 3 | 0329905022 | Delta Pt Round Washer Head Screw With Torx 3x 8 |
| 4 | 0304745000 | I/O-switch vertically |
| 5 | 0304735000 | POWER INLET |
| 6 | 0301235100 | COVER L-PRINT |
| 7 | 0329895012 | Delta Pt Pan Head Screw With Torx 3x10 |
| 8 | 0230447100 | Cable Cpl. |
| 9 | 0302195001 | TORX SCREW DT |

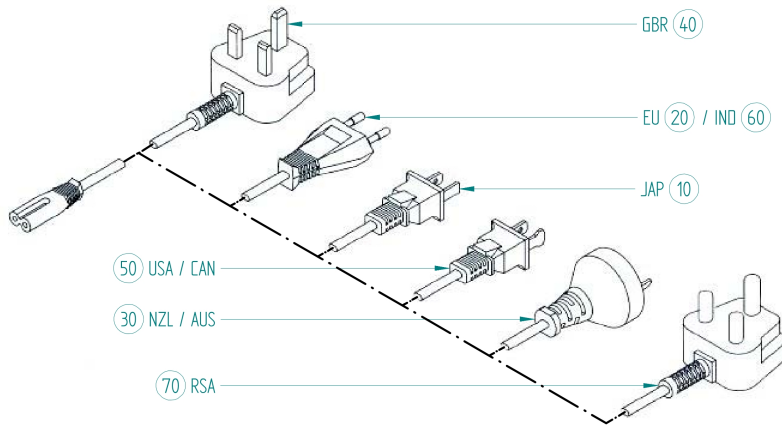


| Pos | Item number | Description |
|-----|-------------|--|
| 1 | 0089267200 | Foot Controller Cpl |
| 2 | 0089275000 | Foot Controller Bottom |
| 3 | 0049035200 | Torsion Spring |
| 4 | 0048995000 | Cover Sheet |
| 5 | 0023345029 | Pan Head Pt Screw 3 x 8 WN1451 - BN20095 Art-No. 3205502 |
| 6 | 0048985100 | Slider |
| 7 | 0049447101 | PRINT CPL. FOOTCONTROL |
| 8 | 0303225000 | SPRING |
| 9 | 0089285000 | Foot Controller Cover |
| 10 | 0079875201 | Wire Plate |

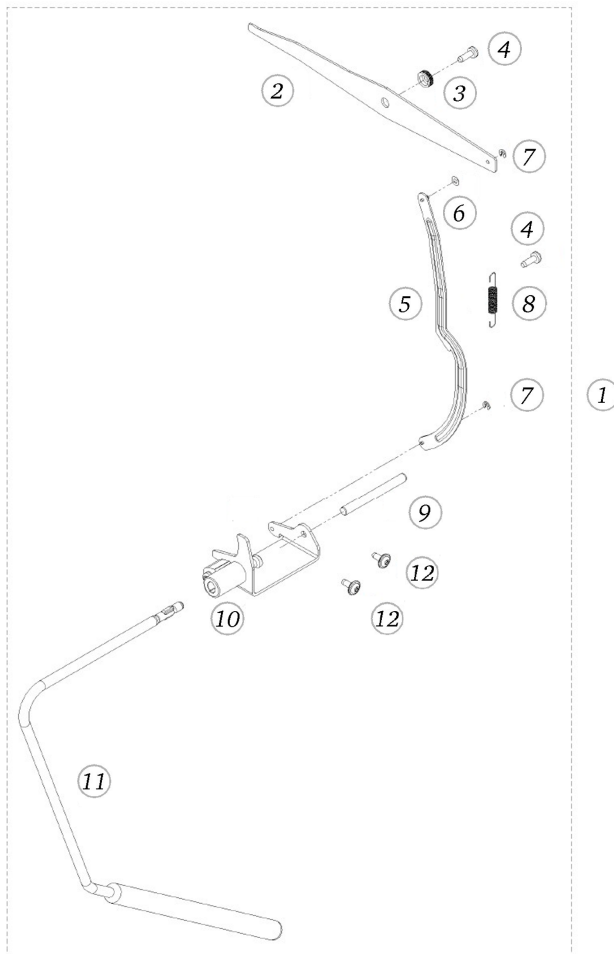
BERNINA 325

Power Plug

| Pos | Item number | Description |
|-----|-------------|---|
| 10 | 0079287004 | Power Cord Cpl. Japan |
| 20 | 0079287303 | Power Cord Cpl. Europe |
| 30 | 0079287002 | Power Cord Cpl. New Zealand / Australia |
| 40 | 0079287001 | Power Cord Cpl. Great Britain |
| 50 | 0079287300 | Power Cord Cpl. USA / CAN |
| 60 | 0079287000 | Power Cord India |
| 70 | 0079287405 | Power Cord Cpl. South Africa |

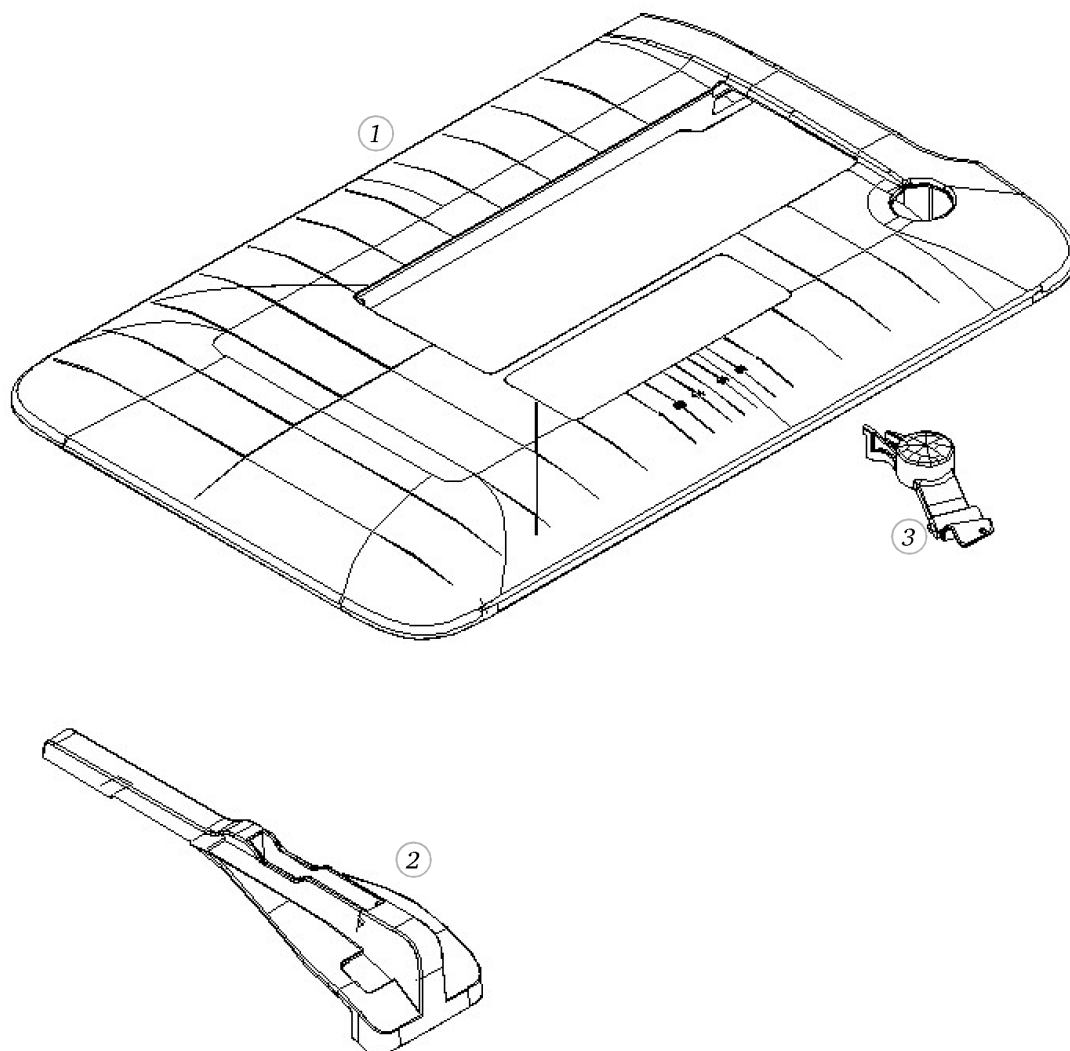


Knee Lifter (FHS) Free Hand system



| Pos | Item number | Description |
|-----|-------------|--|
| 1 | 0301467000 | FREE HAND -KIT FHS |
| 2 | 0301365000 | SEESAW |
| 3 | 0077675100 | Eccentric |
| 4 | 0078865044 | Socket Pan Head Thread Forming Screws M4x12 DIN7500 - BN13916 Art-No. 2027607 |
| 5 | 0301477000 | CONNECTING STRAP CPL |
| 6 | 22952013++ | Flat Washers M3 ISO 7089 - BN14683 Art-No. 1729241 |
| 7 | 23500853++ | Circlips For Shafts d1 2.3 DIN6799 - BN809 Art- No.1284630 |
| 8 | 0078905000 | SPRING |
| 9 | 0082255003 | CYLINDRICAL PIN Ø5-h8x16 |
| 10 | 0301347000 | FHS BEARING SHEET CPL |
| 11 | 0016357700 | Knee Lifter Lever Cpl. |
| 12 | 0078885043 | Button Head Screw Torx Dt M4x10 |

Sewing Table

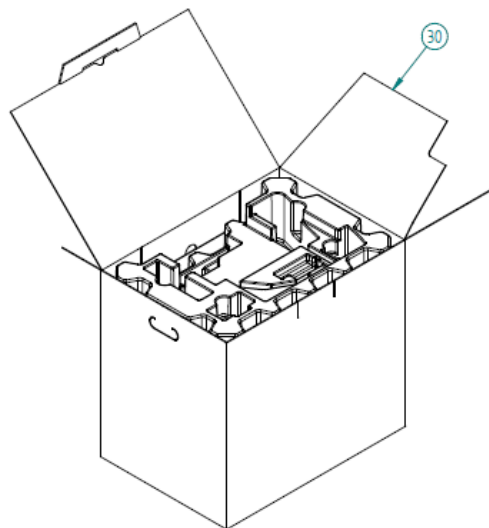
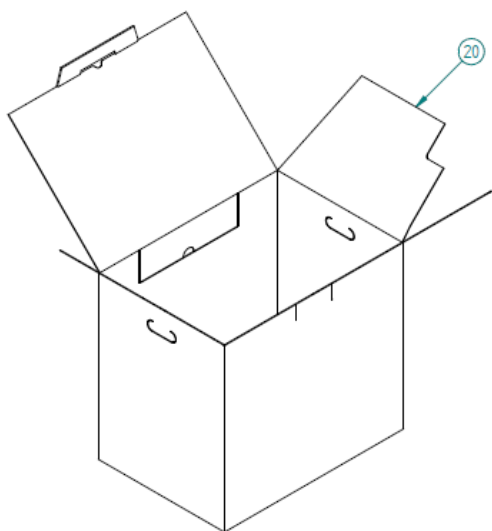
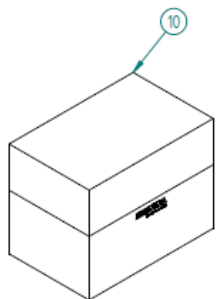


| Pos | Item number | Description |
|-----|-------------|------------------|
| 1 | 0330457000 | SEWING TABLE CPL |
| 2 | 0330467000 | Seam Guide Cpl |
| 3 | 0313345100 | Pushbutton |

BERNINA 325

Packaging

| Pos | Item number | Description |
|-----|-------------|-------------------|
| 10 | 0332825100 | DUST COVER GRAY |
| 20 | 0333035300 | Cardboardbox B3xx |
| 30 | 1056037000 | Package set |

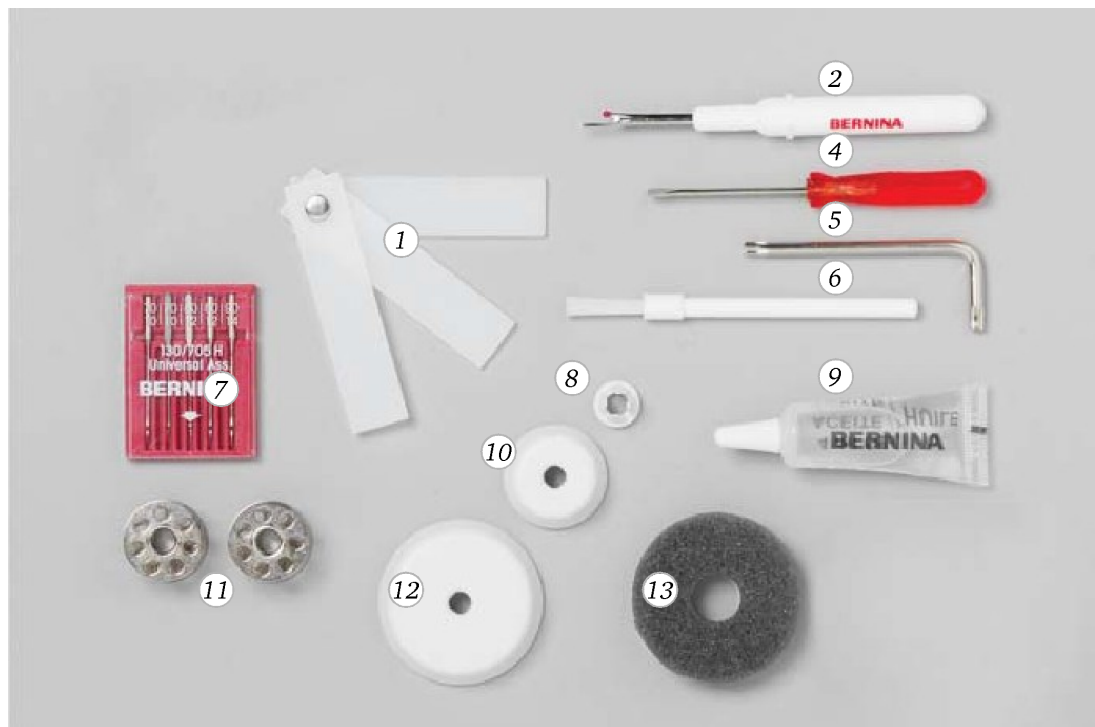


Accessories Box

| Pos | Item number | Description |
|-----|-------------|------------------------------|
| 1 | 0332835200 | Accessory Box 3xx / 5xx grey |



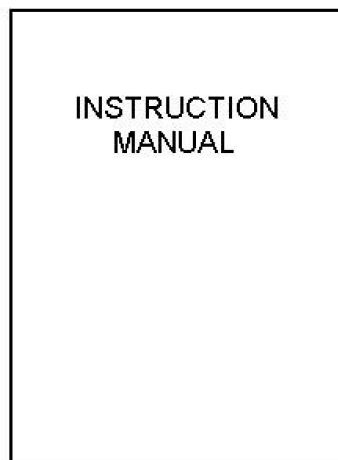
BERNINA 325



Accessories

| Pos | Item number | Description |
|-----|-------------|---|
| 4 | 0032605000 | Compensating-Plates |
| 1 | 0032605100 | Compensating Plates |
| 2 | 0069935201 | Seam Ripper |
| 4 | 0328465000 | Screw Driver red RAL 3025 2,5x0,4x84,5 |
| 5 | 0333297101 | Torx Wrench T20 Packed |
| 6 | 330022031+ | DUST-BRUSH |
| 6 | 33002203++ | Brush |
| 7 | 0027217100 | NEEDLE ASSORTMENT 5-NEEDLES |
| 7 | 0025077002 | Needle Set 130/705 H Packed ASS 70-90 (5) |
| 8 | 0079265200 | Disc D 12 |
| 9 | 0013225101 | oiler tube Velocite 10 (4ml) |
| 10 | 0079305200 | Disc D27 |
| 44 | 0045367200 | BOBBIN |
| 11 | 0015367300 | Bobbin |
| 12 | 0079305101 | Disc D43 |
| 13 | 0303145002 | SOFTPLATE |

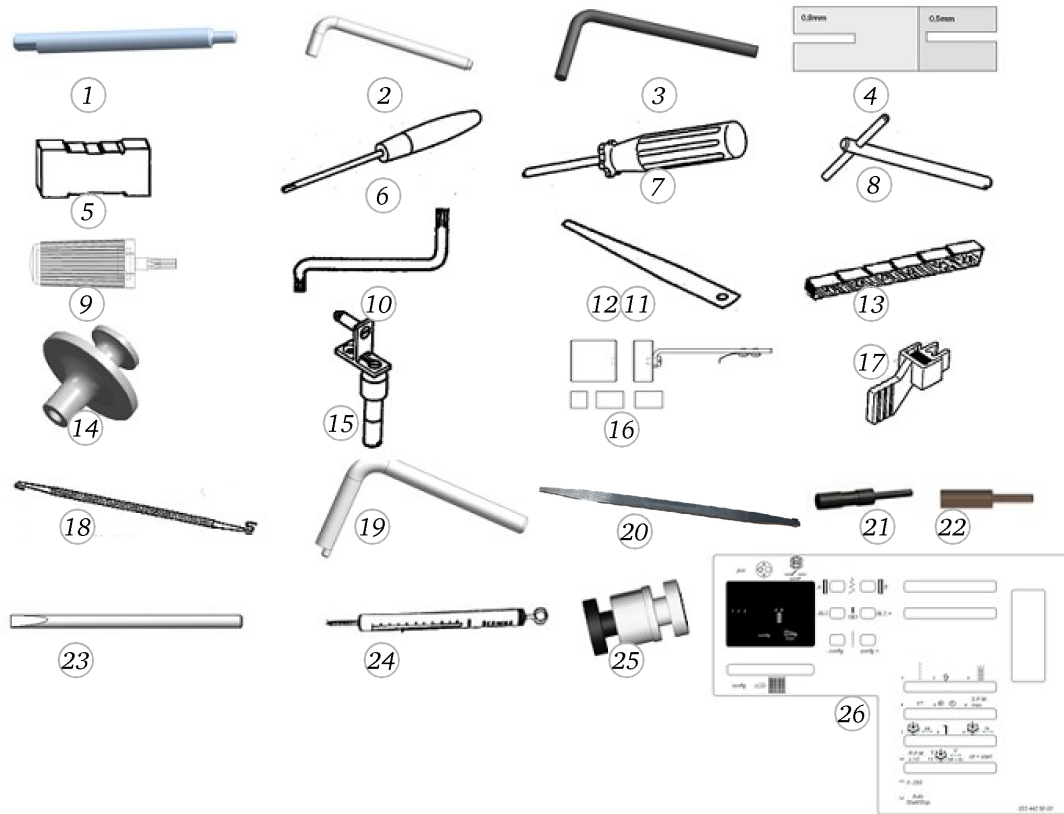
BERNINA 325



Instruction Manual

| Pos | Item number | Description |
|-----|-------------|---------------------|
| 1 | 1038145001 | manual B325/335 DE |
| 2 | 1038145002 | manual B335/B325 FR |
| 3 | 1038145003 | manual B335/B325 IT |
| 4 | 1038145004 | manual B325/B335 EN |
| 5 | 1038145005 | manual B325/B335 NL |
| 6 | 1038145006 | manual B325/B335 SV |
| 7 | 1038145007 | manual B325/B335 NO |
| 8 | 1038145008 | manual B325/B335 DA |
| 9 | 1038145009 | manual B325/B335 FI |
| 10 | 1038145010 | manual B325/B335 JA |
| 11 | 1038145011 | manual B325/B335 ES |
| 12 | 1038145018 | manual B325/B335 RU |

BERNINA 325

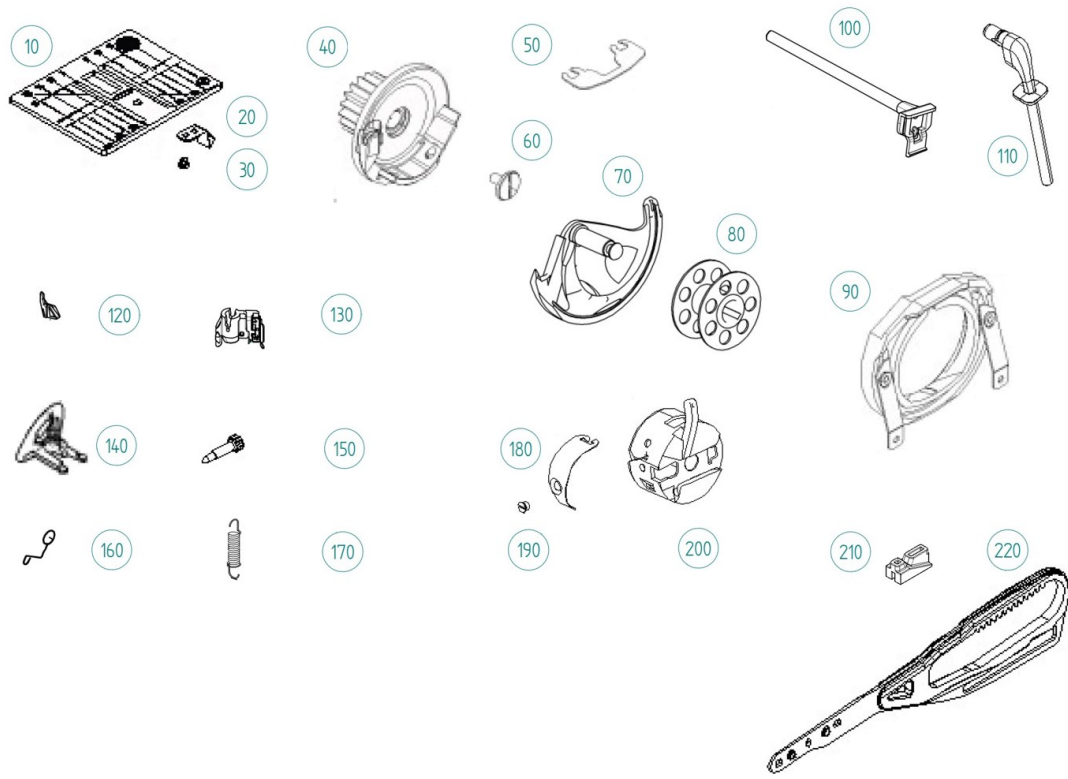


Gauges

| Pos | Item number | Description |
|-----|-------------|------------------------------|
| 1 | 0304305001 | ADJUSTING PIN L=45 |
| 2 | 0013565000 | SPEC. GAUGE |
| 3 | 0023305000 | EXCENTER - STOP |
| 4 | 398026131+ | ADJUSTING TOOLS |
| 5 | 398024031+ | FEED DOG HIGH GAUGE |
| 6 | 398097030+ | ADJUSTING KEY |
| 7 | 0013617000 | BUTTON-HOLE ECC. KEY |
| 8 | 0013577000 | ADJUSTING TOOL CPL. |
| 9 | 0304755100 | Screwdriver Torx T10 |
| 10 | 0079935000 | ADJUSTING KEY |
| 11 | 398022030+ | 0.3 MM FEELER GAUGE |
| 12 | 398111030+ | TRACE GAUGE 0.15 MM |
| 13 | 398031133+ | Adjusting Tool Sewing Foot |
| 14 | 0067657100 | GAUGE CPL. |
| 15 | 0013587000 | WEIGHT |
| 16 | 0087097200 | SETTING WEIGHT-SET |
| 17 | 0089617200 | FILTER CPL. |
| 18 | 398112030+ | Spring-hook |
| 19 | 0315635000 | EXCENTER ADJ.TOOL |
| 20 | 398083030+ | FITTING TOOL |
| 21 | 7341015000 | GAUGE THREADER-HEAD |
| 22 | 0308835000 | GAUGE L = 26 |
| 23 | 0319355000 | Plug Tamping Tool |
| 24 | 0060385000 | spring balance 100gr. |
| 25 | 0319397000 | BOBBIN WINDER DEVICE BERNINA |
| 26 | 0334425000 | SERVICEPANEL 330-380 |

BERNINA 325

3 Series Recommended Spare Parts for Dealers



| Pos | Item number | Description |
|-----|-------------|---|
| 10 | 0335467101 | STITCHPLATE/STANDRAD C |
| 20 | 20500223 | Slotted-machine-screw |
| 20 | 1077875000 | Pan Head Screw M2x1,8 Nickel Plated |
| 30 | 0078755200 | Clip |
| 30 | 0078755300 | Clip |
| 40 | 0007325100 | DRIVER SPRING |
| 50 | 0066335200 | THREAD GUIDE PLATE |
| 60 | 0017205200 | LOW-HEAD-SCREW-M3 |
| 60 | 0017205300 | Thru Head Screw |
| 70 | 0302065400 | CB-HOOK |
| 80 | 0015367300 | Bobbin |
| 90 | 0015387200 | SHUTTLE RACE COVER CPL. |
| 100 | 0330385000 | Spool Support |
| 110 | 0330367000 | Spool Support Pin Turnable Cpl. |
| 120 | 0321337000 | THREAD CUTTER CPL |
| 130 | 0337927100 | Threader Head Packed Semi-automatic |
| 140 | 0330417000 | Thread Cutter Cpl. |
| 150 | 0082435400 | Needle Clamp Screw |
| 160 | 0079545401 | Regulator Spring |
| 170 | 25603003++ | TENSION SPRING |
| 180 | 1028945000 | CB tension spring BERNINA Logo |
| 190 | 1028955000 | CB tension screw BERNINA Logo |
| 200 | 0015347250 | bobbin case cpl. bobbin case hinge nickle platet YS |
| 210 | 0049595000 | SLIDE BLOCK |
| 220 | 0301575200 | TOOTHED RACK FORK |